



CHAIN
HEADWAY

EXTENDED HYDRAULIC TOOL HOLDER SERIES

LHC/R

加長液壓刀柄系列



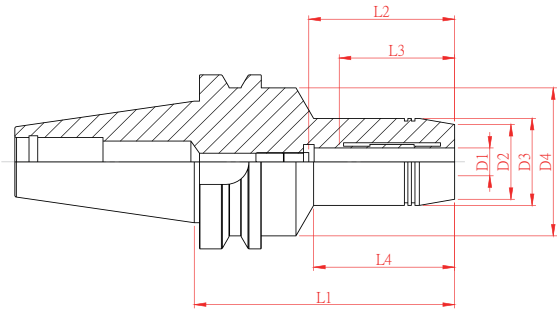
LHC 雙面拘束液壓刀柄系列

Dual Drive HYDRAULIC TOOL HOLDER SERIES



SBT/LHC 雙面拘束液壓刀柄

Dual Drive HYDRAULIC TOOL HOLDER



特點 Feature

- 標準動平衡 : G2.5 25000rpm

- Dynamic Balancing G2.5 at 25000rpm

規格 Spec.	D1	D2	D3	D4	L1	L2	L3	L4	鎖固螺絲 Clamping screw	扳手 Wrench	鎖固螺絲建議扭力值 Torque	調整螺絲 Adjustment screw	微調螺絲扳手 Wrench	重量 (KGS) Weight
SBT30-LHC6R-70	6	23	26	44.5	70	37.5	27.5	28	LHC-M8-1.25P-14L	PT4	5.5Nm.	AJ-M5*0.5	PT2.5	0.7
SBT30-LHC8R-70	8	25	28	44.5	70	37.5	27.5	28	LHC-M8-1.25P-14L	PT4	5.5Nm.	AJ-M6*1.0	PT3	0.8
SBT30-LHC10R-75	10	27	30	44.5	75	42.5	32.5	36	LHC-M8-1.25P-14L	PT4	5.5Nm.	AJ-M8*1.0	PT4	0.8
SBT30-LHC12R-75	12	29	32	44.5	75	47.5	37.5	36	LHC-M8-1.25P-14L	PT4	5.5Nm.	AJ-M8*1.0	PT5	0.9
SBT30-LHC14R-85	14	31	34	44.5	85	47.5	37.5	44	LHC-M8-1.25P-14L	PT4	5.5Nm.	AJ-M8*1.0	PT5	0.9
SBT30-LHC16R-90	16	35	38	44.5	90	52.5	42.5	48	LHC-M8-1.25P-14L	PT4	5.5Nm.	AJ-M12*1.0	PT6	1.0
SBT30-LHC18R-90	18	37	40	44.5	90	52.5	42.5	48	LHC-M8-1.25P-14L	PT4	5.5Nm.	AJ-M12*1.0	PT6	1.0
SBT30-LHC20R-90	20	39	42	44.5	90	52.5	42.5	48	LHC-M8-1.25P-14L	PT4	5.5Nm.	AJ-M12*1.0	PT6	1.1
SBT40-LHC6R-90	6	23	26	50	90	37.5	27.5	44	LHC-M8-1.25P-14L	PT4	5.5Nm.	AJ-M5*0.5	PT2.5	1.5
SBT40-LHC8R-90	8	25	28	50	90	37.5	27.5	44	LHC-M8-1.25P-14L	PT4	5.5Nm.	AJ-M6*1.0	PT3	1.5
SBT40-LHC10R-90	10	27	30	50	90	42.5	32.5	44	LHC-M8-1.25P-14L	PT4	5.5Nm.	AJ-M8*1.0	PT4	1.5
SBT40-LHC12R-90	12	29	32	50	90	47.5	37.5	44	LHC-M8-1.25P-14L	PT4	5.5Nm.	AJ-M8*1.0	PT5	1.5
SBT40-LHC14R-90	14	31	34	50	90	47.5	37.5	44	LHC-M8-1.25P-14L	PT4	5.5Nm.	AJ-M8*1.0	PT5	1.6
SBT40-LHC16R-90	16	35	38	50	90	52.5	42.5	48	LHC-M8-1.25P-14L	PT4	5.5Nm.	AJ-M12*1.0	PT6	1.6
SBT40-LHC18R-90	18	37	40	50	90	52.5	42.5	48	LHC-M8-1.25P-14L	PT4	5.5Nm.	AJ-M12*1.0	PT6	1.6
SBT40-LHC20R-90	20	39	42	50	90	52.5	42.5	48	LHC-M10-1.5P-14L	PT5	5.5Nm.	AJ-M12*1.0	PT6	1.6
SBT40-LHC25R-100	25	53	57	-	100	61	51	-	LHC-M10-1.5P-14L	PT5	5.5Nm.	AJ-M12*1.0	PT6	2.2
SBT40-LHC32R-105	32	58	63	-	105	65	55	-	LHC-M10-1.5P-14L	PT5	5.5Nm.	AJ-M12*1.0	PT6	2.4

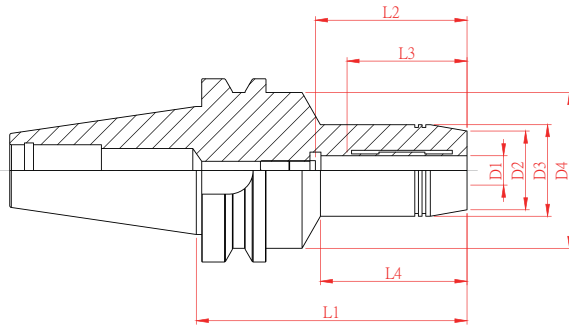
LHC 雙面拘束液壓刀柄系列

Dual Drive HYDRAULIC TOOL HOLDER SERIES



SBT/LHC 雙面拘束液壓刀柄

Dual Drive HYDRAULIC TOOL HOLDER



特點 Feature

- 標準動平衡 : G2.5 25000rpm

-Dynamic Balancing G2.5 at 25000rpm

規格 Spec.	D1	D2	D3	D4	L1	L2	L3	L4	鎖固螺絲 Clamping screw	扳手 Wrench	鎖固螺絲建議扭力值 Torque	調整螺絲 Adjustment screw	微調螺絲扳手 Wrench	重量 (KGS) Weight
SBT50-LHC6R-90	6	23	26	50	90	37.5	27.5	32	LHC-M8-1.25P-14L	PT4	5.5Nm.	AJ-M5*0.5	PT2.5	4.2
SBT50-LHC6R-140	6	23	26	50	140	37.5	27.5	44	LHC-M8-1.25P-14L	PT4	5.5Nm.	AJ-M5*0.5	PT2.5	4.8
SBT50-LHC8R-90	8	25	28	50	90	37.5	27.5	32	LHC-M8-1.25P-14L	PT4	5.5Nm.	AJ-M6*1.0	PT3	4.2
SBT50-LHC8R-140	8	25	28	50	140	37.5	27.5	44	LHC-M8-1.25P-14L	PT4	5.5Nm.	AJ-M6*1.0	PT3	4.8
SBT50-LHC10R-90	10	27	30	50	90	42.5	32.5	32	LHC-M8-1.25P-14L	PT4	5.5Nm.	AJ-M8*1.0	PT4	4.3
SBT50-LHC10R-140	10	27	30	50	140	42.5	32.5	44	LHC-M8-1.25P-14L	PT4	5.5Nm.	AJ-M8*1.0	PT4	4.9
SBT50-LHC12R-90	12	29	32	50	90	47.5	37.5	32	LHC-M8-1.25P-14L	PT4	5.5Nm.	AJ-M8*1.0	PT5	4.3
SBT50-LHC12R-140	12	29	32	50	140	47.5	37.5	44	LHC-M8-1.25P-14L	PT4	5.5Nm.	AJ-M8*1.0	PT5	4.9
SBT50-LHC14R-90	14	31	34	50	90	47.5	37.5	32	LHC-M8-1.25P-14L	PT4	5.5Nm.	AJ-M8*1.0	PT5	4.3
SBT50-LHC14R-140	14	31	34	50	140	47.5	37.5	44	LHC-M8-1.25P-14L	PT4	5.5Nm.	AJ-M8*1.0	PT5	4.9
SBT50-LHC16R-90	16	35	38	50	90	52.5	42.5	32	LHC-M8-1.25P-14L	PT4	5.5Nm.	AJ-M12*1.0	PT6	4.4
SBT50-LHC16R-140	16	35	38	50	140	52.5	42.5	48	LHC-M8-1.25P-14L	PT4	5.5Nm.	AJ-M12*1.0	PT6	5.0
SBT50-LHC18R-90	18	37	40	50	90	52.5	42.5	32	LHC-M8-1.25P-14L	PT4	5.5Nm.	AJ-M12*1.0	PT6	4.4
SBT50-LHC18R-140	18	37	40	50	140	52.5	42.5	48	LHC-M8-1.25P-14L	PT4	5.5Nm.	AJ-M12*1.0	PT6	5.0
SBT50-LHC20R-90	20	39	42	50	90	52.5	42.5	32	LHC-M10-1.5P-14L	PT5	5.5Nm.	AJ-M12*1.0	PT6	4.4
SBT50-LHC20R-140	20	39	42	50	140	52.5	42.5	48	LHC-M10-1.5P-14L	PT5	5.5Nm.	AJ-M12*1.0	PT6	5.0
SBT50-LHC25R-105	25	53	57	-	105	61	51	-	LHC-M10-1.5P-14L	PT5	5.5Nm.	AJ-M12*1.0	PT6	4.9
SBT50-LHC25R-150	25	53	57	-	150	61	51	-	LHC-M10-1.5P-14L	PT5	5.5Nm.	AJ-M12*1.0	PT6	5.5
SBT50-LHC32R-115	32	58	63	-	115	65	55	-	LHC-M10-1.5P-14L	PT5	5.5Nm.	AJ-M12*1.0	PT6	5.1
SBT50-LHC32R-150	32	58	63	-	150	65	55	-	LHC-M10-1.5P-14L	PT5	5.5Nm.	AJ-M12*1.0	PT6	5.9

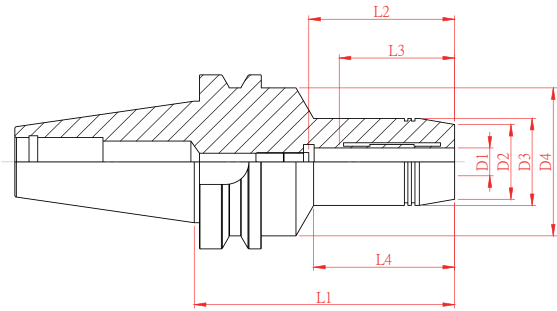
LHC 液壓刀柄系列

HYDRAULIC TOOL HOLDER SERIES



BT/LHC 液壓刀柄

HYDRAULIC TOOL HOLDER



特點 Feature

- 標準動平衡 : G2.5 25000rpm

- Dynamic Balancing G2.5 at 25000rpm

規格 Spec.	D1	D2	D3	D4	L1	L2	L3	L4	鎖固螺絲 Clamping screw	扳手 Wrench	鎖固螺絲建 議扭力值 Torque	調整螺絲 Adjustment screw	微調螺 絲扳手 Wrench	重量 (KGS) Weight
BT30-LHC6R-70	6	23	26	44.5	70	37.5	27.5	28	LHC-M8-1.25P-14L	PT4	5.5Nm.	AJ-M5*0.5	PT2.5	0.7
BT30-LHC8R-70	8	25	28	44.5	70	37.5	27.5	28	LHC-M8-1.25P-14L	PT4	5.5Nm.	AJ-M6*1.0	PT3	0.8
BT30-LHC10R-75	10	27	30	44.5	75	42.5	32.5	36	LHC-M8-1.25P-14L	PT4	5.5Nm.	AJ-M8*1.0	PT4	0.8
BT30-LHC12R-75	12	29	32	44.5	75	47.5	37.5	36	LHC-M8-1.25P-14L	PT4	5.5Nm.	AJ-M8*1.0	PT5	0.9
BT30-LHC14R-85	14	31	34	44.5	85	47.5	37.5	44	LHC-M8-1.25P-14L	PT4	5.5Nm.	AJ-M8*1.0	PT5	0.9
BT30-LHC16R-90	16	35	38	44.5	90	52.5	42.5	48	LHC-M8-1.25P-14L	PT4	5.5Nm.	AJ-M12*1.0	PT6	1.0
BT30-LHC18R-90	18	37	40	44.5	90	52.5	42.5	48	LHC-M8-1.25P-14L	PT4	5.5Nm.	AJ-M12*1.0	PT6	1.0
BT30-LHC20R-90	20	39	42	44.5	90	52.5	42.5	48	LHC-M8-1.25P-14L	PT4	5.5Nm.	AJ-M12*1.0	PT6	1.0
BT40-LHC6R-65	6	23	26	50	65	37.5	27.5	23	LHC-M8-1.25P-14L	PT4	5.5Nm.	AJ-M5*0.5	PT2.5	1.3
BT40-LHC6R-90	6	23	26	50	90	37.5	27.5	44	LHC-M8-1.25P-14L	PT4	5.5Nm.	AJ-M5*0.5	PT2.5	1.4
BT40-LHC6R-140	6	23	26	50	140	37.5	27.5	44	LHC-M8-1.25P-14L	PT4	5.5Nm.	AJ-M5*0.5	PT2.5	2.2
BT40-LHC8R-65	8	25	28	50	65	37.5	27.5	23	LHC-M8-1.25P-14L	PT4	5.5Nm.	AJ-M6*1.0	PT3	1.3
BT40-LHC8R-90	8	25	28	50	90	37.5	27.5	44	LHC-M8-1.25P-14L	PT4	5.5Nm.	AJ-M6*1.0	PT3	1.5
BT40-LHC8R-140	8	25	28	50	140	37.5	27.5	44	LHC-M8-1.25P-14L	PT4	5.5Nm.	AJ-M6*1.0	PT3	2.3
BT40-LHC10R-65	10	27	30	50	65	42.5	32.5	23	LHC-M8-1.25P-14L	PT4	5.5Nm.	AJ-M8*1.0	PT4	1.3
BT40-LHC10R-90	10	27	30	50	90	42.5	32.5	44	LHC-M8-1.25P-14L	PT4	5.5Nm.	AJ-M8*1.0	PT4	1.5
BT40-LHC10R-140	10	27	30	50	140	42.5	32.5	44	LHC-M8-1.25P-14L	PT4	5.5Nm.	AJ-M8*1.0	PT4	2.3
BT40-LHC12R-65	12	29	32	50	65	47.5	37.5	23	LHC-M8-1.25P-14L	PT4	5.5Nm.	AJ-M8*1.0	PT5	1.3
BT40-LHC12R-90	12	29	32	50	90	47.5	37.5	44	LHC-M8-1.25P-14L	PT4	5.5Nm.	AJ-M8*1.0	PT5	1.5
BT40-LHC12R-140	12	29	32	50	140	47.5	37.5	44	LHC-M8-1.25P-14L	PT4	5.5Nm.	AJ-M8*1.0	PT5	2.3
BT40-LHC14R-65	14	31	34	50	65	47.5	37.5	23	LHC-M8-1.25P-14L	PT4	5.5Nm.	AJ-M8*1.0	PT5	1.4
BT40-LHC14R-90	14	31	34	50	90	47.5	37.5	44	LHC-M8-1.25P-14L	PT4	5.5Nm.	AJ-M8*1.0	PT5	1.6
BT40-LHC14R-140	14	31	34	50	140	47.5	37.5	44	LHC-M8-1.25P-14L	PT4	5.5Nm.	AJ-M8*1.0	PT5	2.4

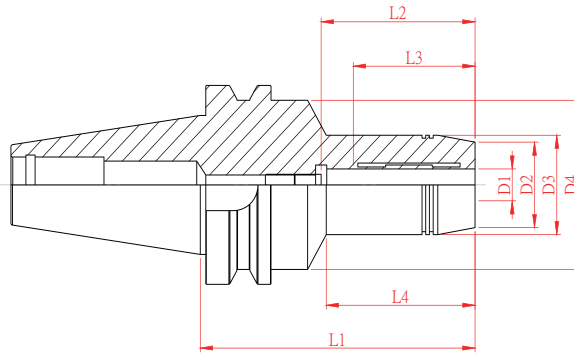
LHC 液壓刀柄系列

HYDRAULIC TOOL HOLDER SERIES



BT/LHC 液壓刀柄

HYDRAULIC TOOL HOLDER



特點 Feature

- 標準動平衡 : G2.5 25000rpm

-Dynamic Balancing G2.5 at 25000rpm

規格 Spec.	D1	D2	D3	D4	L1	L2	L3	L4	鎖固螺絲 Clamping screw	扳手 Wrench	鎖固螺絲建議扭力值 Torque	調整螺絲 Adjustment screw	微調螺絲扳手 Wrench	重量 (KGS) Weight
BT40-LHC16R-65	16	35	38	50	65	52.5	42.5	23	LHC-M8-1.25P-14L	PT4	5.5Nm.	AJ-M12*1.0	PT6	1.4
BT40-LHC16R-90	16	35	38	50	90	52.5	42.5	48	LHC-M8-1.25P-14L	PT4	5.5Nm.	AJ-M12*1.0	PT6	1.6
BT40-LHC16R-140	16	35	38	50	140	52.5	42.5	48	LHC-M8-1.25P-14L	PT4	5.5Nm.	AJ-M12*1.0	PT6	2.4
BT40-LHC18R-75	18	37	40	50	75	52.5	42.5	30	LHC-M8-1.25P-14L	PT4	5.5Nm.	AJ-M12*1.0	PT6	1.5
BT40-LHC18R-90	18	37	40	50	90	52.5	42.5	48	LHC-M8-1.25P-14L	PT4	5.5Nm.	AJ-M12*1.0	PT6	1.7
BT40-LHC18R-140	18	37	40	50	140	52.5	42.5	48	LHC-M8-1.25P-14L	PT4	5.5Nm.	AJ-M12*1.0	PT6	2.4
BT40-LHC20R-75	20	39	42	50	75	52.5	42.5	30	LHC-M10-1.5P-14L	PT5	5.5Nm.	AJ-M12*1.0	PT6	1.5
BT40-LHC20R-90	20	39	42	50	90	52.5	42.5	48	LHC-M10-1.5P-14L	PT5	5.5Nm.	AJ-M12*1.0	PT6	1.7
BT40-LHC20R-140	20	39	42	50	140	52.5	42.5	48	LHC-M10-1.5P-14L	PT5	5.5Nm.	AJ-M12*1.0	PT6	2.4
BT40-LHC25R-100	25	53	57	50	100	61	51	-	LHC-M10-1.5P-14L	PT5	5.5Nm.	AJ-M12*1.0	PT6	2.2
BT40-LHC25R-135	25	53	57	50	135	61	51	-	LHC-M10-1.5P-14L	PT5	5.5Nm.	AJ-M12*1.0	PT6	2.9
BT40-LHC32R-105	32	58	62	50	105	65	55	-	LHC-M10-1.5P-14L	PT5	5.5Nm.	AJ-M12*1.0	PT6	2.4
BT40-LHC32R-135	32	58	62	50	135	65	55	-	LHC-M10-1.5P-14L	PT5	5.5Nm.	AJ-M12*1.0	PT6	3.1

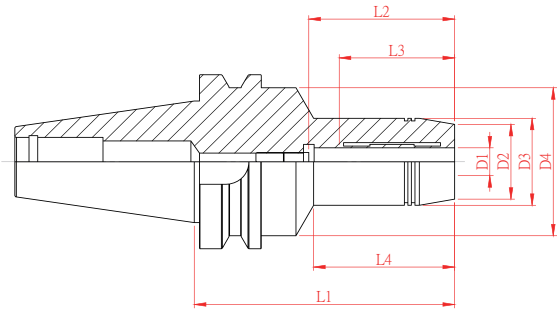
LHC 液壓刀柄系列

HYDRAULIC TOOL HOLDER SERIES



BT/LHC 液壓刀柄

HYDRAULIC TOOL HOLDER



特點 Feature

- 標準動平衡 : G2.5 25000rpm

-Dynamic Balancing G2.5 at 25000rpm

規格 Spec.	D1	D2	D3	D4	L1	L2	L3	L4	鎖固螺絲 Clamping screw	扳手 Wrench	鎖固螺絲建 議扭力值 Torque	調整螺絲 Adjustment screw	微調螺絲 扳手 Wrench	重量 (KGS) Weight
BT50-LHC6R-90	6	23	26	50	90	37.5	27.5	32	LHC-M8-1.25P-14L	PT4	5.5Nm.	AJ-M5*0.5	PT2.5	4.2
BT50-LHC6R-120	6	23	26	50	120	37.5	27.5	44	LHC-M8-1.25P-14L	PT4	5.5Nm.	AJ-M5*0.5	PT2.5	4.5
BT50-LHC6R-140	6	23	26	50	140	37.5	27.5	44	LHC-M8-1.25P-14L	PT4	5.5Nm.	AJ-M5*0.5	PT2.5	4.8
BT50-LHC8R-90	8	25	28	50	90	37.5	27.5	32	LHC-M8-1.25P-14L	PT4	5.5Nm.	AJ-M6*1.0	PT3	4.2
BT50-LHC8R-120	8	25	28	50	120	37.5	27.5	44	LHC-M8-1.25P-14L	PT4	5.5Nm.	AJ-M6*1.0	PT3	4.5
BT50-LHC8R-140	8	25	28	50	140	37.5	27.5	44	LHC-M8-1.25P-14L	PT4	5.5Nm.	AJ-M6*1.0	PT3	4.8
BT50-LHC10R-90	10	27	30	50	90	42.5	32.5	32	LHC-M8-1.25P-14L	PT4	5.5Nm.	AJ-M8*1.0	PT4	4.2
BT50-LHC10R-120	10	27	30	50	120	42.5	32.5	44	LHC-M8-1.25P-14L	PT4	5.5Nm.	AJ-M8*1.0	PT4	4.5
BT50-LHC10R-140	10	27	30	50	140	42.5	32.5	44	LHC-M8-1.25P-14L	PT4	5.5Nm.	AJ-M8*1.0	PT4	4.8
BT50-LHC12R-90	12	29	32	50	90	47.5	37.5	32	LHC-M8-1.25P-14L	PT4	5.5Nm.	AJ-M8*1.0	PT5	4.3
BT50-LHC12R-120	12	29	32	50	120	47.5	37.5	44	LHC-M8-1.25P-14L	PT4	5.5Nm.	AJ-M8*1.0	PT5	4.5
BT50-LHC12R-140	12	29	32	50	140	47.5	37.5	44	LHC-M8-1.25P-14L	PT4	5.5Nm.	AJ-M8*1.0	PT5	4.8
BT50-LHC14R-90	14	31	34	50	90	47.5	37.5	32	LHC-M8-1.25P-14L	PT4	5.5Nm.	AJ-M8*1.0	PT5	4.3
BT50-LHC14R-120	14	31	34	50	120	47.5	37.5	44	LHC-M8-1.25P-14L	PT4	5.5Nm.	AJ-M8*1.0	PT5	4.6
BT50-LHC14R-140	14	31	34	50	140	47.5	37.5	44	LHC-M8-1.25P-14L	PT4	5.5Nm.	AJ-M8*1.0	PT5	4.8
BT50-LHC16R-90	16	35	38	50	90	52.5	42.5	32	LHC-M8-1.25P-14L	PT4	5.5Nm.	AJ-M12*1.0	PT6	4.3
BT50-LHC16R-120	16	35	38	50	120	52.5	42.5	48	LHC-M8-1.25P-14L	PT4	5.5Nm.	AJ-M12*1.0	PT6	4.6
BT50-LHC16R-140	16	35	38	50	140	52.5	42.5	48	LHC-M8-1.25P-14L	PT4	5.5Nm.	AJ-M12*1.0	PT6	4.9
BT50-LHC18R-90	18	37	40	50	90	52.5	42.5	32	LHC-M8-1.25P-14L	PT4	5.5Nm.	AJ-M12*1.0	PT6	4.4
BT50-LHC18R-120	18	37	40	50	120	52.5	42.5	48	LHC-M8-1.25P-14L	PT4	5.5Nm.	AJ-M12*1.0	PT6	4.6
BT50-LHC18R-140	18	37	40	50	140	52.5	42.5	48	LHC-M8-1.25P-14L	PT4	5.5Nm.	AJ-M12*1.0	PT6	4.9
BT50-LHC20R-90	20	39	42	50	90	52.5	42.5	32	LHC-M10-1.5P-14L	PT5	5.5Nm.	AJ-M12*1.0	PT6	4.4
BT50-LHC20R-120	20	39	42	50	120	52.5	42.5	48	LHC-M10-1.5P-14L	PT5	5.5Nm.	AJ-M12*1.0	PT6	4.7
BT50-LHC20R-140	20	39	42	50	140	52.5	42.5	48	LHC-M10-1.5P-14L	PT5	5.5Nm.	AJ-M12*1.0	PT6	4.9
BT50-LHC25R-105	25	53	57	-	105	61	51	-	LHC-M10-1.5P-14L	PT5	5.5Nm.	AJ-M12*1.0	PT6	4.8

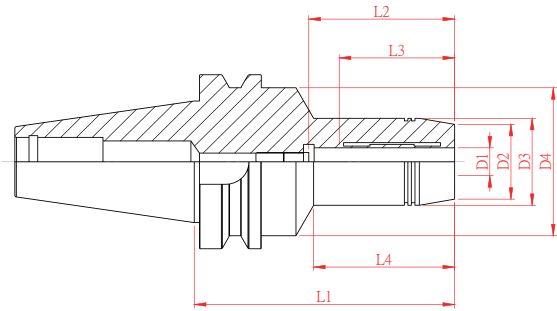
LHC 液壓刀柄系列

HYDRAULIC TOOL HOLDER SERIES



BT/LHC 液壓刀柄

HYDRAULIC TOOL HOLDER



特點 Feature

- 標準動平衡 : G2.5 25000rpm

-Dynamic Balancing G2.5 at 25000rpm

規格 Spec.	D1	D2	D3	D4	L1	L2	L3	L4	鎖固螺絲 Clamping screw	扳手 Wrench	鎖固螺絲建 議扭力值 Torque	調整螺絲 Adjustment screw	微調螺絲 扳手 Wrench	重量 (KGS) Weight
BT50-LHC25R-150	25	53	57	-	150	61	51	-	LHC-M10-1.5P-14L	PT5	5.5Nm.	AJ-M12*1.0	PT6	5.6
BT50-LHC32R-115	32	58	62	-	115	65	55	-	LHC-M10-1.5P-14L	PT5	5.5Nm.	AJ-M12*1.0	PT6	5.1
BT50-LHC32R-150	32	58	62	-	150	65	55	-	LHC-M10-1.5P-14L	PT5	5.5Nm.	AJ-M12*1.0	PT6	5.8

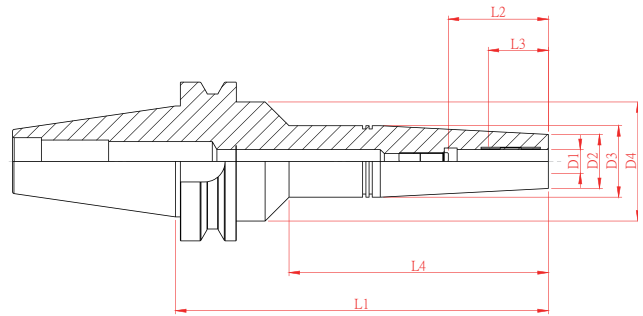
LHC 斜度加長液壓刀柄系列

SLIM & TAPER HYDRAULIC TOOL HOLDER SERIES



BT/LHC 斜度加長液壓刀柄

SLIM & TAPER HYDRAULIC TOOL HOLDER



特點 Feature

- 標準動平衡 : G2.5 25000rpm

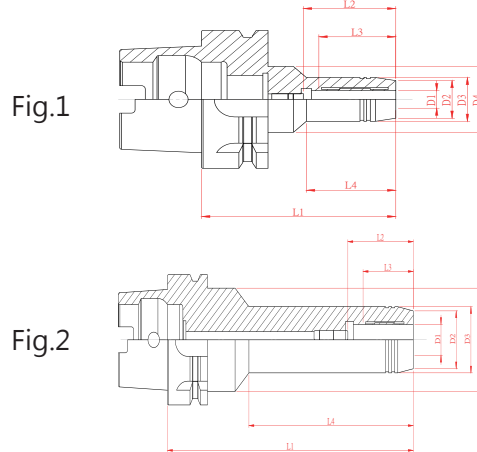
-Dynamic Balancing G2.5 at 25000rpm

規格 Spec.	D1	D2	D3	D4	L1	L2	L3	L4	鎖回螺絲 Clamping screw	扳手 Wrench	鎖固螺絲建議扭力值 Torque	調整螺絲 Adjustment screw	微調螺絲扳手 Wrench	重量 (KGS) Weight
BT30-LHC6RS-110	6	16	24	44.5	110	37.5	27.5	66	LHC-M8-1.25P-14L	PT4	5.5Nm.	AJ-M5*0.5	PT2.5	0.9
BT30-LHC8RS-110	8	18	26	44.5	110	37.5	27.5	66	LHC-M8-1.25P-14L	PT4	5.5Nm.	AJ-M6*1.0	PT3	0.9
BT30-LHC10RS-110	10	20	28	44.5	110	42.5	32.5	67	LHC-M8-1.25P-14L	PT4	5.5Nm.	AJ-M8*1.0	PT4	1.1
BT30-LHC12RS-110	12	22	30	44.5	110	47.5	37.5	67	LHC-M8-1.25P-14L	PT4	5.5Nm.	AJ-M8*1.0	PT5	1.2
BT40-LHC6RS-150	6	16	24	50	150	37.5	27.5	103	LHC-M8-1.25P-14L	PT4	5.5Nm.	AJ-M5*0.5	PT2.5	1.6
BT40-LHC8RS-150	8	18	26	50	150	37.5	27.5	104	LHC-M8-1.25P-14L	PT4	5.5Nm.	AJ-M6*1.0	PT3	1.7
BT40-LHC10RS-150	10	20	28	50	150	42.5	32.5	104	LHC-M8-1.25P-14L	PT4	5.5Nm.	AJ-M8*1.0	PT4	1.7
BT40-LHC12RS-150	12	22	30	50	150	47.5	37.5	105	LHC-M8-1.25P-14L	PT4	5.5Nm.	AJ-M8*1.0	PT5	1.8
BT40-LHC14RS-150	14	24	32	50	150	47.5	37.5	105	LHC-M8-1.25P-14L	PT4	5.5Nm.	AJ-M8*1.0	PT5	1.8
BT40-LHC16RS-150	16	26	34	50	150	52.5	42.5	106	LHC-M8-1.25P-14L	PT4	5.5Nm.	AJ-M12*1.0	PT6	1.9
BT40-LHC18RS-150	18	28	36	50	150	52.5	42.5	107	LHC-M8-1.25P-14L	PT4	5.5Nm.	AJ-M12*1.0	PT6	1.9
BT40-LHC20RS-150	20	30	38	50	150	52.5	42.5	108	LHC-M8-1.25P-14L	PT4	5.5Nm.	AJ-M12*1.0	PT6	2.0
BT50-LHC6RS-190	6	16	24	50	190	37.5	27.5	120	LHC-M8-1.25P-14L	PT4	5.5Nm.	AJ-M5*0.5	PT2.5	4.3
BT50-LHC8RS-190	8	18	26	50	190	37.5	27.5	120	LHC-M8-1.25P-14L	PT4	5.5Nm.	AJ-M6*1.0	PT3	4.3
BT50-LHC10RS-190	10	20	28	50	190	42.5	32.5	120	LHC-M8-1.25P-14L	PT4	5.5Nm.	AJ-M8*1.0	PT4	4.4
BT50-LHC12RS-190	12	22	30	50	190	47.5	37.5	120	LHC-M8-1.25P-14L	PT4	5.5Nm.	AJ-M8*1.0	PT5	4.4
BT50-LHC14RS-190	14	24	32	50	190	47.5	37.5	121	LHC-M8-1.25P-14L	PT4	5.5Nm.	AJ-M8*1.0	PT5	4.5
BT50-LHC16RS-190	16	26	34	50	190	52.5	42.5	121	LHC-M8-1.25P-14L	PT4	5.5Nm.	AJ-M12*1.0	PT6	4.5
BT50-LHC18RS-190	18	28	36	50	190	52.5	42.5	122	LHC-M8-1.25P-14L	PT4	5.5Nm.	AJ-M12*1.0	PT6	4.6
BT50-LHC20RS-190	20	30	38	50	190	52.5	42.5	122	LHC-M8-1.25P-14L	PT4	5.5Nm.	AJ-M12*1.0	PT6	4.7



HSK/LHC 液壓刀柄

HYDRAULIC TOOL HOLDER



特點 Feature

- 標準動平衡 : G2.5 25000rpm

- Dynamic Balancing G2.5 at 25000rpm

規格 Spec.	D1	D2	D3	D4	L1	L2	L3	L4	鎖固螺絲 Clamping screw	扳手 Wrench	鎖固螺絲建議扭力值 Torque	調整螺絲 Adjustment screw	微調螺絲扳手 Wrench	重量 (KGS) Weight	Fig.
HSK63A-LHC6R-70	6	23	26	50	70	37.5	27.5	24	LHC-M8-1.25P-14L	PT4	5.5Nm.	AJ-M5*0.5	PT2.5	1.0	1
HSK63A-LHC6R-150	6	23	26	50	150	37.5	27.5	103	LHC-M8-1.25P-14L	PT4	5.5Nm.	AJ-M5*0.5	PT2.5	1.0	2
HSK63A-LHC6R-200	6	23	26	50	200	37.5	27.5	153	LHC-M8-1.25P-14L	PT4	5.5Nm.	AJ-M5*0.5	PT2.5	2.3	2
HSK63A-LHC8R-70	8	25	28	50	70	37.5	27.5	24	LHC-M8-1.25P-14L	PT4	5.5Nm.	AJ-M6*1.0	PT3	1.0	1
HSK63A-LHC8R-150	8	25	28	50	150	37.5	27.5	104	LHC-M8-1.25P-14L	PT4	5.5Nm.	AJ-M6*1.0	PT3	1.5	2
HSK63A-LHC8R-200	8	25	28	50	200	37.5	27.5	154	LHC-M8-1.25P-14L	PT4	5.5Nm.	AJ-M6*1.0	PT3	2.3	2
HSK63A-LHC10R-80	10	27	30	50	80	42.5	32.5	35	LHC-M8-1.25P-14L	PT4	5.5Nm.	AJ-M8*1.0	PT4	1.1	1
HSK63A-LHC10R-150	10	27	30	50	150	42.5	32.5	104	LHC-M8-1.25P-14L	PT4	5.5Nm.	AJ-M8*1.0	PT4	1.6	2
HSK63A-LHC10R-200	10	27	30	50	200	42.5	32.5	154	LHC-M8-1.25P-14L	PT4	5.5Nm.	AJ-M8*1.0	PT4	2.4	2
HSK63A-LHC12R-85	12	29	32	50	85	47.5	37.5	40	LHC-M8-1.25P-14L	PT4	5.5Nm.	AJ-M8*1.0	PT4	1.2	1
HSK63A-LHC12R-150	12	29	32	50	150	47.5	37.5	105	LHC-M8-1.25P-14L	PT4	5.5Nm.	AJ-M8*1.0	PT5	1.7	2
HSK63A-LHC12R-200	12	29	32	50	200	47.5	37.5	155	LHC-M8-1.25P-14L	PT4	5.5Nm.	AJ-M8*1.0	PT5	2.4	2
HSK63A-LHC14R-85	14	31	34	50	85	47.5	37.5	40	LHC-M8-1.25P-14L	PT4	5.5Nm.	AJ-M8*1.0	PT4	1.2	1
HSK63A-LHC14R-150	14	31	34	50	150	47.5	37.5	105	LHC-M8-1.25P-14L	PT4	5.5Nm.	AJ-M8*1.0	PT5	1.7	2
HSK63A-LHC14R-200	14	31	34	50	200	47.5	37.5	155	LHC-M8-1.25P-14L	PT4	5.5Nm.	AJ-M8*1.0	PT5	2.4	2
HSK63A-LHC16R-90	16	35	38	50	90	52.5	42.5	46	LHC-M8-1.25P-14L	PT4	5.5Nm.	AJ-M8*1.0	PT4	1.3	1
HSK63A-LHC16R-150	16	35	38	50	150	52.5	42.5	106	LHC-M8-1.25P-14L	PT4	5.5Nm.	AJ-M12*1.0	PT6	1.8	2
HSK63A-LHC16R-200	16	35	38	50	200	52.5	42.5	156	LHC-M8-1.25P-14L	PT4	5.5Nm.	AJ-M12*1.0	PT6	2.4	2
HSK63A-LHC18R-90	18	37	40	50	90	52.5	42.5	47	LHC-M8-1.25P-14L	PT4	5.5Nm.	AJ-M8*1.0	PT4	1.3	1
HSK63A-LHC18R-150	18	37	40	50	150	52.5	42.5	107	LHC-M8-1.25P-14L	PT4	5.5Nm.	AJ-M12*1.0	PT6	1.9	2
HSK63A-LHC18R-200	18	37	40	50	200	52.5	42.5	157	LHC-M8-1.25P-14L	PT4	5.5Nm.	AJ-M12*1.0	PT6	2.5	2

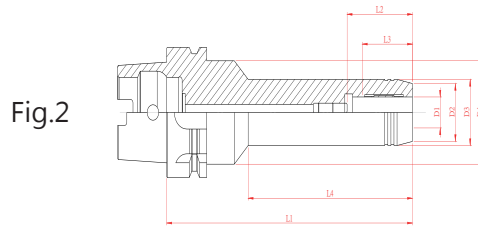
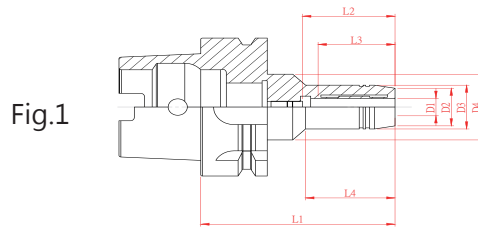
LHC 液壓刀柄系列

HYDRAULIC TOOL HOLDER SERIES



HSK/LHC 液壓刀柄

HYDRAULIC TOOL HOLDER



特點 Feature

- 標準動平衡 : G2.5 25000rpm

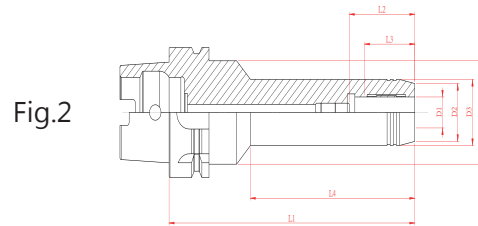
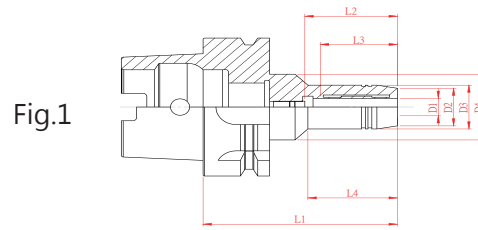
-Dynamic Balancing G2.5 at 25000rpm

規格 Spec.	D1	D2	D3	D4	L1	L2	L3	L4	鎖固螺絲 Clamping screw	扳手 Wrench	鎖固螺絲建議 扭力值 Torque	調整螺絲 Adjustment screw	微調螺絲 扳手 Wrench	重量 (KGS) Weight	Fig.
HSK63A-LHC20R-90	20	39	42	50	90	52.5	42.5	48	LHC-M8-1.25P-14L	PT4	5.5Nm.	AJ-M8*1.0	PT4	1.3	1
HSK63A-LHC20R-150	20	39	42	50	150	52.5	42.5	108	LHC-M10-1.5P-14L	PT5	5.5Nm.	AJ-M12*1.0	PT6	2.0	2
HSK63A-LHC20R-200	20	39	42	50	200	52.5	42.5	158	LHC-M10-1.5P-14L	PT5	5.5Nm.	AJ-M12*1.0	PT6	2.6	2
HSK63A-LHC25R-120	25	46	50	-	120	61	51	-	LHC-M10-1.5P-14L	PT5	5.5Nm.	AJ-M12*1.0	PT6	2.3	1
HSK63A-LHC32R-125	32	56	60	52.5	125	65	55	-	LHC-M10-1.5P-14L	PT5	5.5Nm.	AJ-M12*1.0	PT6	2.8	1
HSK100A-LHC6R-75	6	23	26	50	75	37.5	27.5	26	LHC-M8-1.25P-14L	PT4	5.5Nm.	AJ-M5*0.5	PT2.5	2.6	1
HSK100A-LHC6R-160	6	23	26	50	160	37.5	27.5	104	LHC-M8-1.25P-14L	PT4	5.5Nm.	AJ-M5*0.5	PT2.5	3.0	2
HSK100A-LHC6R-200	6	23	26	50	200	37.5	27.5	144	LHC-M8-1.25P-14L	PT4	5.5Nm.	AJ-M5*0.5	PT2.5	3.2	2
HSK100A-LHC8R-75	8	25	28	50	75	37.5	27.5	26	LHC-M8-1.25P-14L	PT4	5.5Nm.	AJ-M6*1.0	PT3	2.7	1
HSK100A-LHC8R-160	8	25	28	50	160	37.5	27.5	104	LHC-M8-1.25P-14L	PT4	5.5Nm.	AJ-M6*1.0	PT3	3.1	2
HSK100A-LHC8R-200	8	25	28	50	200	37.5	27.5	144	LHC-M8-1.25P-14L	PT4	5.5Nm.	AJ-M6*1.0	PT3	3.3	2
HSK100A-LHC10R-90	10	27	30	50	90	42.5	32.5	42	LHC-M8-1.25P-14L	PT4	5.5Nm.	AJ-M8*1.0	PT4	2.8	1
HSK100A-LHC10R-160	10	27	30	50	160	42.5	32.5	105	LHC-M8-1.25P-14L	PT4	5.5Nm.	AJ-M8*1.0	PT4	3.1	2
HSK100A-LHC10R-200	10	27	30	50	200	42.5	32.5	145	LHC-M8-1.25P-14L	PT4	5.5Nm.	AJ-M8*1.0	PT4	3.3	2
HSK100A-LHC12R-95	12	29	32	50	95	47.5	37.5	47	LHC-M8-1.25P-14L	PT4	5.5Nm.	AJ-M8*1.0	PT5	2.8	1
HSK100A-LHC12R-160	12	29	32	50	160	47.5	37.5	105	LHC-M8-1.25P-14L	PT4	5.5Nm.	AJ-M8*1.0	PT5	3.2	2
HSK100A-LHC12R-200	12	29	32	50	200	47.5	37.5	145	LHC-M8-1.25P-14L	PT4	5.5Nm.	AJ-M8*1.0	PT5	3.4	2
HSK100A-LHC14R-95	14	31	34	50	95	47.5	37.5	47	LHC-M8-1.25P-14L	PT4	5.5Nm.	AJ-M8*1.0	PT5	2.8	1
HSK100A-LHC14R-160	14	31	34	50	160	47.5	37.5	107	LHC-M8-1.25P-14L	PT4	5.5Nm.	AJ-M8*1.0	PT5	3.2	2
HSK100A-LHC14R-200	14	31	34	50	200	47.5	37.5	147	LHC-M8-1.25P-14L	PT4	5.5Nm.	AJ-M8*1.0	PT5	3.5	2
HSK100A-LHC16R-100	16	35	38	50	100	52.5	42.5	53	LHC-M8-1.25P-14L	PT4	5.5Nm.	AJ-M12*1.0	PT6	2.9	1
HSK100A-LHC16R-160	16	35	38	50	160	52.5	42.5	107	LHC-M8-1.25P-14L	PT4	5.5Nm.	AJ-M12*1.0	PT6	3.4	2
HSK100A-LHC16R-200	16	35	38	50	200	52.5	42.5	147	LHC-M8-1.25P-14L	PT4	5.5Nm.	AJ-M12*1.0	PT6	3.8	2



HSK/LHC 液壓刀柄

HYDRAULIC TOOL HOLDER



特點 Feature

- 標準動平衡 : G2.5 25000rpm

-Dynamic Balancing G2.5 at 25000rpm

規格 Spec.	D1	D2	D3	D4	L1	L2	L3	L4	鎖固螺絲 Clamping screw	扳手 Wrench	鎖固螺絲建 議扭力值 Torque	調整螺絲 Adjustment screw	微調螺絲 扳手 Wrench	重量 (KGS) Weight	Fig.
HSK100A-LHC18R-100	18	37	40	50	100	52.5	42.5	53	LHC-M8-1.25P-14L	PT4	5.5Nm.	AJ-M12*1.0	PT6	3.0	1
HSK100A-LHC18R-160	18	37	40	50	160	52.5	42.5	108	LHC-M8-1.25P-14L	PT4	5.5Nm.	AJ-M12*1.0	PT6	3.5	2
HSK100A-LHC18R-200	18	37	40	50	200	52.5	42.5	148	LHC-M8-1.25P-14L	PT4	5.5Nm.	AJ-M12*1.0	PT6	3.9	2
HSK100A-LHC20R-105	20	39	42	50	105	52.5	42.5	59	LHC-M10-1.5P-14L	PT5	5.5Nm.	AJ-M12*1.0	PT6	3.0	1
HSK100A-LHC20R-160	20	39	42	50	160	52.5	42.5	108	LHC-M10-1.5P-14L	PT5	5.5Nm.	AJ-M12*1.0	PT6	3.6	2
HSK100A-LHC20R-200	20	39	42	50	200	52.5	42.5	148	LHC-M10-1.5P-14L	PT5	5.5Nm.	AJ-M12*1.0	PT6	4.0	2
HSK100A-LHC25R-110	25	53	57	63	110	61	51	62	LHC-M10-1.5P-14L	PT5	5.5Nm.	AJ-M12*1.0	PT6	3.7	1
HSK100A-LHC25R-160	25	53	57	63	160	61	51	110	LHC-M10-1.5P-14L	PT5	5.5Nm.	AJ-M12*1.0	PT6	4.7	2
HSK100A-LHC25R-200	25	53	57	63	200	61	51	150	LHC-M10-1.5P-14L	PT5	5.5Nm.	AJ-M12*1.0	PT6	5.4	2
HSK100A-LHC32R-110	32	58	63	75	110	65	55	62	LHC-M10-1.5P-14L	PT5	5.5Nm.	AJ-M12*1.0	PT6	3.9	1
HSK100A-LHC32R-160	32	58	63	75	160	65	55	110	LHC-M10-1.5P-14L	PT5	5.5Nm.	AJ-M12*1.0	PT6	5.0	2
HSK100A-LHC32R-200	32	58	63	75	200	65	55	150	LHC-M10-1.5P-14L	PT5	5.5Nm.	AJ-M12*1.0	PT6	6.1	2

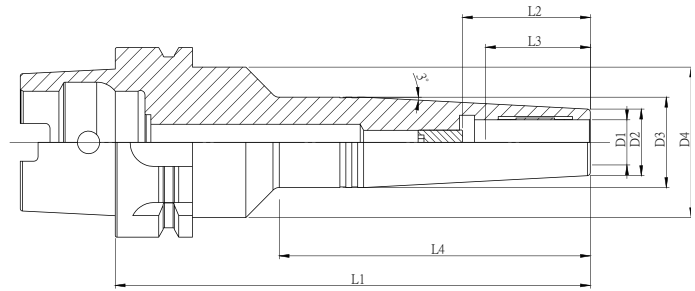
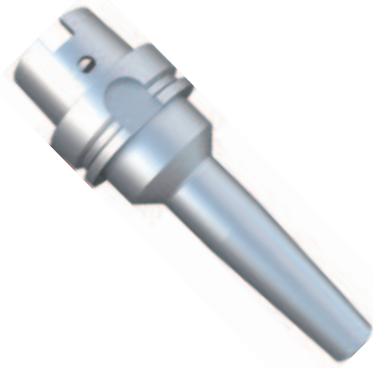
LHC 斜度加長液壓刀柄系列

SLIM & TAPER HYDRAULIC TOOL HOLDER SERIES



HSK/LHC 斜度加長液壓刀柄

SLIM & TAPER HYDRAULIC TOOL HOLDER



特點 Feature

- 標準動平衡 : G2.5 25000rpm

-Dynamic Balancing G2.5 at 25000rpm


規格 Spec.	D1	D2	D3	D4	L1	L2	L3	L4	鎖固螺絲 Clamping screw	扳手 Wrench	鎖固螺絲建 議扭力值 Torque	調整螺絲 Adjustment screw	微調螺絲 扳手 Wrench	重量 (KGS) Weight
HSK63A-LHC6RS-150	6	16	24	50	150	37.5	27.5	103	LHC-M8-1.25P-14L	PT4	5.5Nm.	AJ-M5*0.5	PT2.5	1.3
HSK63A-LHC8RS-150	8	18	26	50	150	37.5	27.5	104	LHC-M8-1.25P-14L	PT4	5.5Nm.	AJ-M6*1.0	PT3	1.3
HSK63A-LHC10RS-150	10	20	28	50	150	42.5	32.5	104	LHC-M8-1.25P-14L	PT4	5.5Nm.	AJ-M8*1.0	PT4	1.4
HSK63A-LHC12RS-150	12	22	30	50	150	47.5	37.5	105	LHC-M8-1.25P-14L	PT4	5.5Nm.	AJ-M8*1.0	PT5	1.5
HSK63A-LHC14RS-150	14	24	32	50	150	47.5	37.5	105	LHC-M8-1.25P-14L	PT4	5.5Nm.	AJ-M8*1.0	PT5	1.5
HSK63A-LHC16RS-150	16	26	34	50	150	52.5	42.5	106	LHC-M8-1.25P-14L	PT4	5.5Nm.	AJ-M12*1.0	PT6	1.6
HSK63A-LHC18RS-150	18	28	36	50	150	52.5	42.5	107	LHC-M8-1.25P-14L	PT4	5.5Nm.	AJ-M12*1.0	PT6	1.6
HSK63A-LHC20RS-150	20	30	38	50	150	52.5	42.5	108	LHC-M8-1.25P-14L	PT4	5.5Nm.	AJ-M12*1.0	PT6	1.7
HSK100A-LHC6RS-180	6	16	24	50	180	37.5	27.5	120	LHC-M8-1.25P-14L	PT4	5.5Nm.	AJ-M5*0.5	PT2.5	3.0
HSK100A-LHC8RS-180	8	18	26	50	180	37.5	27.5	120	LHC-M8-1.25P-14L	PT4	5.5Nm.	AJ-M6*1.0	PT3	3.1
HSK100A-LHC10RS-180	10	20	28	50	180	42.5	32.5	120	LHC-M8-1.25P-14L	PT4	5.5Nm.	AJ-M8*1.0	PT4	3.1
HSK100A-LHC12RS-180	12	22	30	50	180	47.5	37.5	120	LHC-M8-1.25P-14L	PT4	5.5Nm.	AJ-M8*1.0	PT5	3.2
HSK100A-LHC14RS-180	14	24	32	50	180	47.5	37.5	121	LHC-M8-1.25P-14L	PT4	5.5Nm.	AJ-M8*1.0	PT5	3.2
HSK100A-LHC16RS-180	16	26	34	50	180	52.5	42.5	121	LHC-M8-1.25P-14L	PT4	5.5Nm.	AJ-M12*1.0	PT6	3.3
HSK100A-LHC18RS-180	18	28	36	50	180	52.5	42.5	122	LHC-M8-1.25P-14L	PT4	5.5Nm.	AJ-M12*1.0	PT6	3.4
HSK100A-LHC20RS-180	20	30	38	50	180	52.5	42.5	122	LHC-M8-1.25P-14L	PT4	5.5Nm.	AJ-M12*1.0	PT6	3.4


**CHAIN
HEADWAY**
正河源股份有限公司

 電話 TEL /
+886-4-26265252

 傳真 FAX /
+886-4-26267941

 地址 Address /
台灣台中市清水區五權路232號
No. 232, Wuquan Rd., Qingshui Dist., Taichung City 436, Taiwan

 網址 Website /
www.chain-headway.com



公司官網(中文)



Website(EN)



LINE



WeChat



Facebook



YouTube