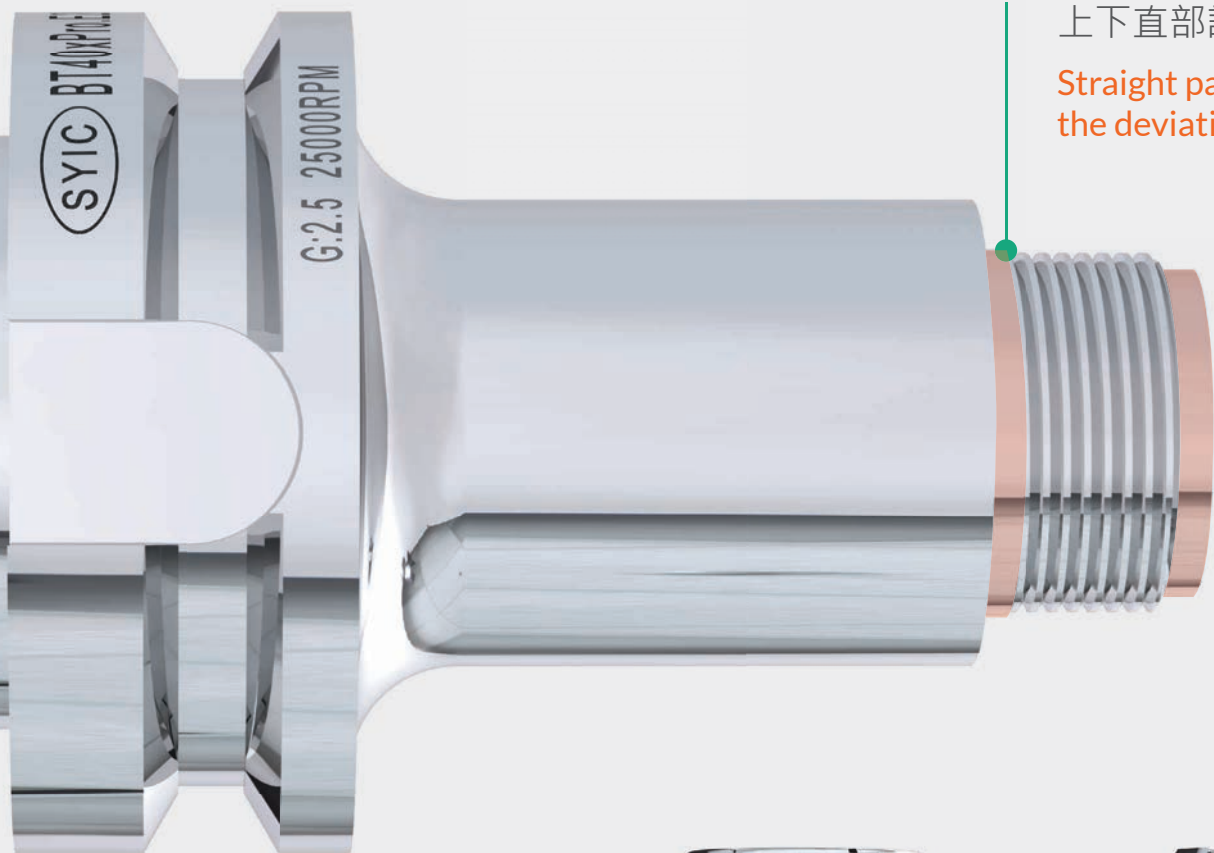




Pro.E

筒夾式刀桿 & 精密筒夾  
Collet Chuck & Precision Collet

 **CHAIN  
HEADWAY**  
Cutting Edge Solution



上下直部設計，減少牙部公差、提高精度

Straight part design decreases the deviation of the threads and improves accuracy.



刀桿內孔加大設計，ER筒夾包覆性更佳

The enlarged design of holder ID hole optimized the coverage of ER collet



刀桿內孔加大設計，縮短了刀具懸伸長度  
提升偏擺精度與加工穩定性

Straight part design has shorten the tool overhanging  
length and improved runout accuracy and machining  
stability.



無風阻螺帽降低風切

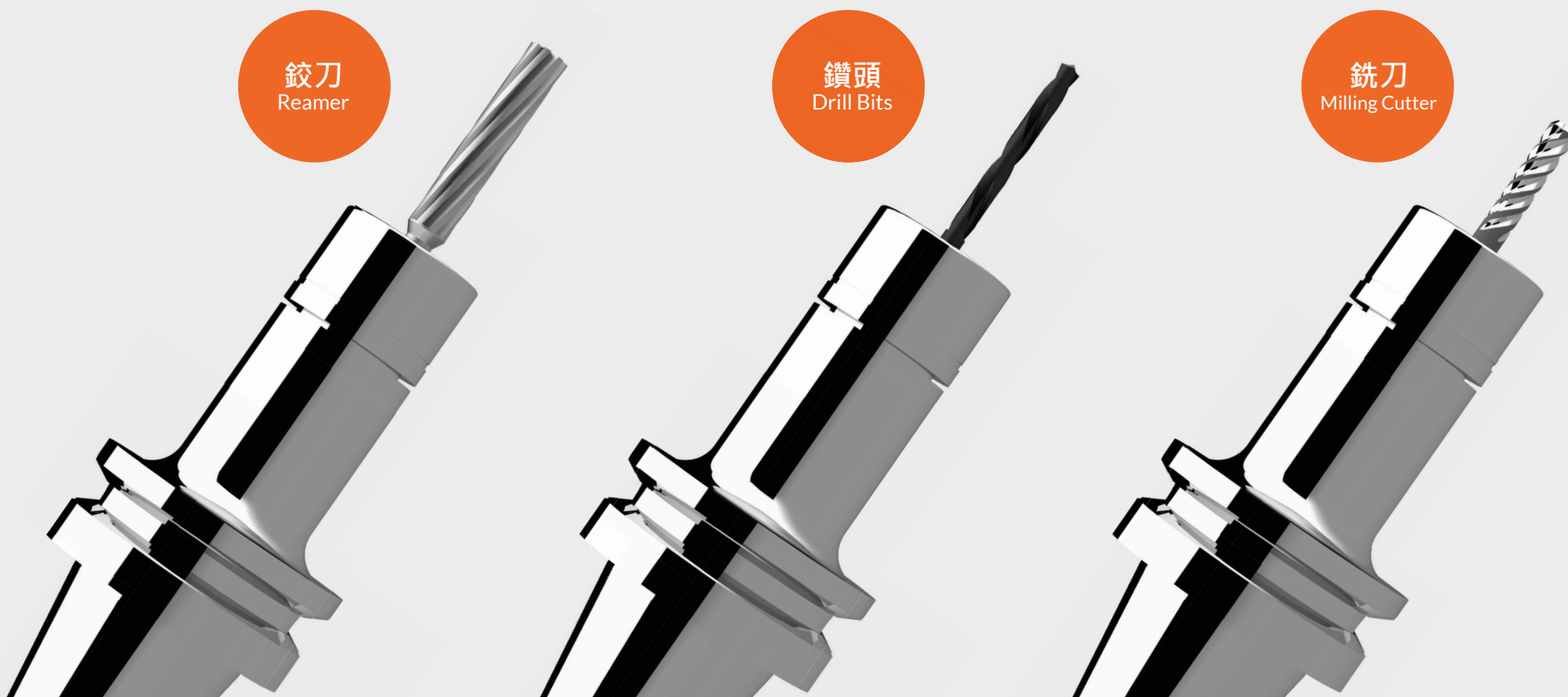
Non wind resistance nut reduces the wind shear.

## 一支刀桿多重用法設計

### One toolholder with multi-use design

可夾持銑刀、鉸刀和鑽頭

Pro.E able to clamp Milling Cutter, Reamer and Drill Bits.

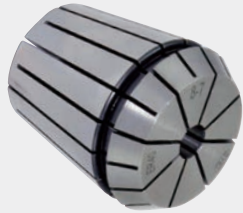


## 可使用三種筒夾

### Able to fit three kinds of collet

ER、ERS直溝止水筒夾、ERS-FOD直溝出水筒夾，可耐高壓出水100bar。

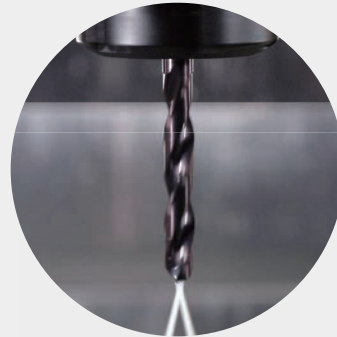
ER Collet, ERS Metallic Sealed Collet, ERS-FOD Coolant Collet are able to reach maximum coolant pressure 100bar.



ER



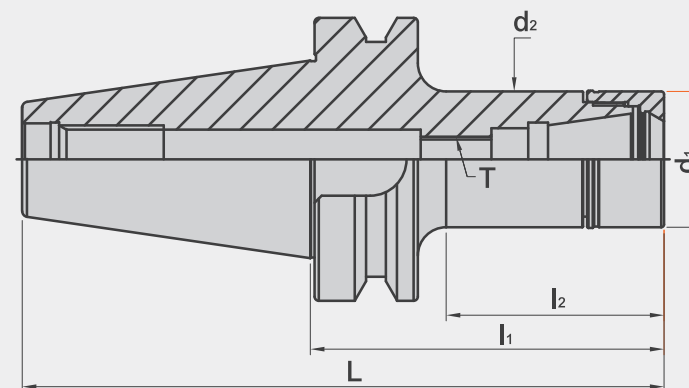
ERS



ERS-FOD



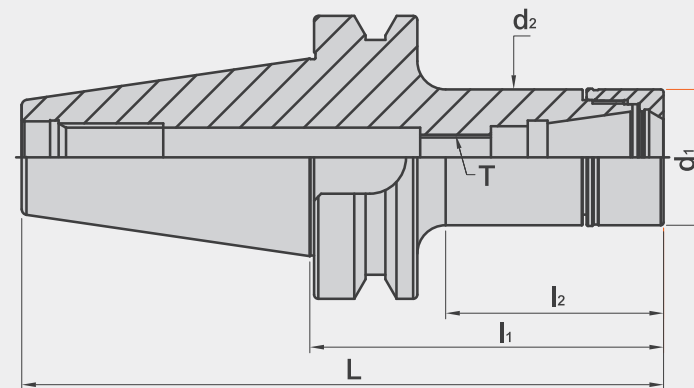
# 規格 Spec



## SBT/Pro.E 筒夾式刀桿 (雙面拘束) COLLET CHUCK (Dual Drive+)

規格 Spec.	L	l <sub>1</sub>	l <sub>2</sub>	d <sub>1</sub>	d <sub>2</sub>	T	夾持範圍 Size Range	重量 (KGS) Weight
SBT30xPro.E16-70	118.4	70	43	30	30	M10x1.5P	1~10	0.58
SBT30xPro.E16-100	148.4	100	73	30	30	M10x1.5P	1~10	0.73
SBT30xPro.E16-125	173.4	125	98	30	30	M10x1.5P	1~10	0.85
SBT30xPro.E16-150	198.4	150	123	30	30	M10x1.5P	1~10	0.97
SBT30xPro.E20-70	118.4	70	44	35	35	M12x1.75P	1~13	0.65
SBT30xPro.E20-100	148.4	100	74	35	35	M12x1.75P	1~13	0.85
SBT30xPro.E20-125	173.4	125	99	35	35	M12x1.75P	1~13	1.02
SBT30xPro.E20-150	198.4	150	124	35	35	M12x1.75P	1~13	1.19
SBT30xPro.E25-70	118.4	70	47.5	42	42	M16x2.0P	1~16	0.73
SBT30xPro.E25-100	148.4	100	77.5	42	42	M16x2.0P	1~16	1.03
SBT30xPro.E25-125	173.4	125	102.5	42	42	M16x2.0P	1~16	1.28
SBT30xPro.E25-150	198.4	150	127.5	42	42	M16x2.0P	1~16	1.53
SBT30xPro.E32-70	118.4	70	47.5	50	50	M16x2.0P	2~20	0.75
SBT30xPro.E32-100	148.4	100	77.5	50	50	M16x2.0P	2~20	1.14
SBT30xPro.E32-125	173.4	125	102.5	50	50	M16x2.0P	2~20	1.47
SBT30xPro.E32-150	198.4	150	127.5	50	50	M16x2.0P	2~20	1.80

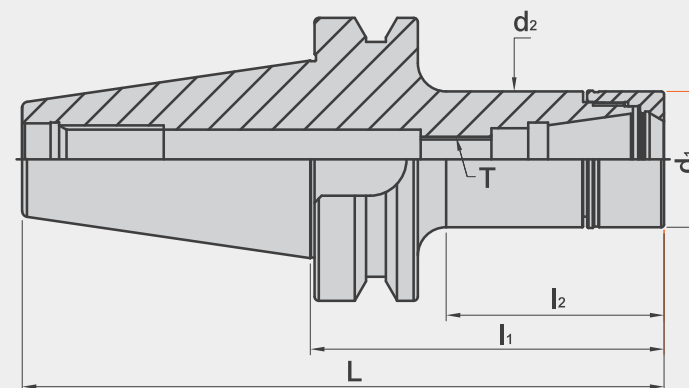
# 規格 Spec



## SBT/Pro.E 筒夾式刀桿 (雙面拘束) COLLET CHUCK (Dual Drive+)

規格 Spec.	L	l <sub>1</sub>	l <sub>2</sub>	d <sub>1</sub>	d <sub>2</sub>	T	夾持範圍 Size Range	重量 (KGS) Weight
SBT40xPro.E16-70	135.4	70	38	30	30	M10x1.5P	1~10	1.14
SBT40xPro.E16-100	165.4	100	63	30	30	M10x1.5P	1~10	1.28
SBT40xPro.E16-125	190.4	125	88	30	30	M10x1.5P	1~10	1.38
SBT40xPro.E16-150	215.4	150	113	30	30	M10x1.5P	1~10	1.49
SBT40xPro.E16-200	265.4	200	163	30	30	M10x1.5P	1~10	1.70
SBT40xPro.E20-70	135.4	70	35	35	35	M12x1.75P	1~13	1.19
SBT40xPro.E20-100	165.4	100	65	35	35	M12x1.75P	1~13	1.38
SBT40xPro.E20-125	190.4	125	90	35	35	M12x1.75P	1~13	1.54
SBT40xPro.E20-150	215.4	150	115	35	35	M12x1.75P	1~13	1.69
SBT40xPro.E20-200	265.4	200	165	35	35	M12x1.75P	1~13	2.00
SBT40xPro.E25-70	135.4	70	40	42	42	M16x2.0P	1~16	1.26
SBT40xPro.E25-100	165.4	100	70	42	42	M16x2.0P	1~16	1.54
SBT40xPro.E25-125	190.4	125	95	42	42	M16x2.0P	1~16	1.78
SBT40xPro.E25-150	215.4	150	120	42	42	M16x2.0P	1~16	2.02
SBT40xPro.E25-200	265.4	200	170	42	42	M16x2.0P	1~16	2.49
SBT40xPro.E32-70	135.4	70	40	50	50	M16x2.0P	2~20	1.27
SBT40xPro.E32-100	165.4	100	70	50	50	M16x2.0P	2~20	1.65
SBT40xPro.E32-125	190.4	125	95	50	50	M16x2.0P	2~20	1.97
SBT40xPro.E32-150	215.4	150	120	50	50	M16x2.0P	2~20	2.29
SBT40xPro.E32-200	265.4	200	170	50	50	M16x2.0P	2~20	2.92

# 規格 Spec

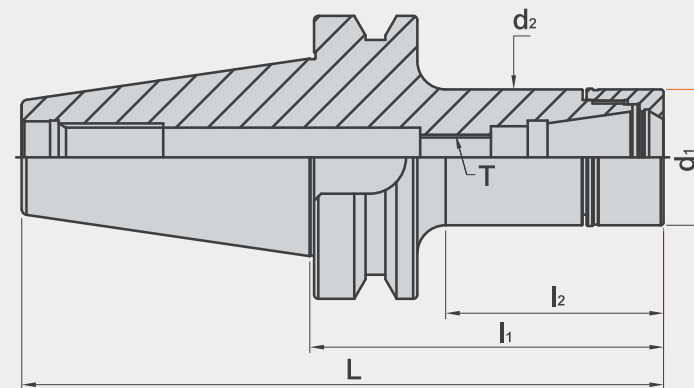


## SBT/Pro.E 筒夾式刀桿 (雙面拘束) COLLET CHUCK (Dual Drive+)

規格 Spec.	L	l <sub>1</sub>	l <sub>2</sub>	d <sub>1</sub>	d <sub>2</sub>	T	夾持範圍 Size Range	重量 (KGS) Weight
SBT50xPro.E16-70	171.8	70	29	30	30	M10x1.5P	1~10	3.68
SBT50xPro.E16-100	201.8	100	52	30	30	M10x1.5P	1~10	3.78
SBT50xPro.E16-125	226.8	125	77	30	30	M10x1.5P	1~10	3.92
SBT50xPro.E16-150	251.8	150	102	30	30	M10x1.5P	1~10	4.03
SBT50xPro.E16-200	301.8	200	147	30	30	M10x1.5P	1~10	4.27
SBT50xPro.E16-250	351.8	250	197	30	30	M10x1.5P	1~10	4.48
SBT50xPro.E20-70	171.8	70	29	35	35	M12x1.75P	1~13	3.70
SBT50xPro.E20-100	201.8	100	52	35	35	M12x1.75P	1~13	3.86
SBT50xPro.E20-125	226.8	125	77	35	35	M12x1.75P	1~13	4.06
SBT50xPro.E20-150	251.8	150	102	35	35	M12x1.75P	1~13	4.22
SBT50xPro.E20-200	301.8	200	147	35	35	M12x1.75P	1~13	4.56
SBT50xPro.E20-250	351.8	250	197	35	35	M12x1.75P	1~13	4.87
SBT50xPro.E25-70	171.8	70	31	42	42	M16x2.0P	1~16	3.74
SBT50xPro.E25-100	201.8	100	52	42	42	M16x2.0P	1~16	4.00
SBT50xPro.E25-125	226.8	125	77	42	42	M16x2.0P	1~16	4.20
SBT50xPro.E25-150	251.8	150	102	42	42	M16x2.0P	1~16	4.40
SBT50xPro.E25-200	301.8	200	152	42	42	M16x2.0P	1~16	4.80
SBT50xPro.E25-250	351.8	250	197	42	42	M16x2.0P	1~16	5.24
SBT50xPro.E32-70	171.8	70	31	50	50	M16x2.0P	2~20	3.74
SBT50xPro.E32-100	201.8	100	52	50	50	M16x2.0P	2~20	4.10



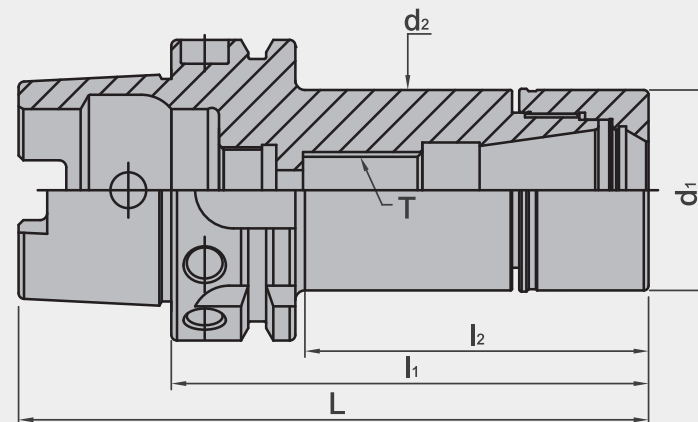
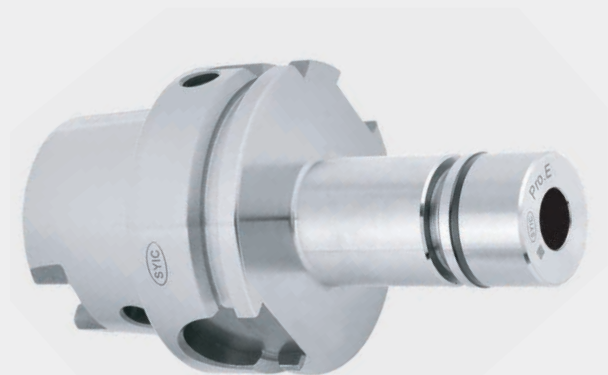
規格  
Spec



SBT/Pro.E 筒夾式刀桿 (雙面拘束)  
COLLET CHUCK (Dual Drive+)

規格 Spec.	L	l <sub>1</sub>	l <sub>2</sub>	d <sub>1</sub>	d <sub>2</sub>	T	夾持範圍 Size Range	重量 (KGS) Weight
SBT50xPro.E32-125	226.8	125	77	50	50	M16x2.0P	2~20	4.38
SBT50xPro.E32-150	251.8	150	102	50	50	M16x2.0P	2~20	4.66
SBT50xPro.E32-200	301.8	200	152	50	50	M16x2.0P	2~20	5.23
SBT50xPro.E32-250	351.8	250	197	50	50	M16x2.0P	2~20	5.83

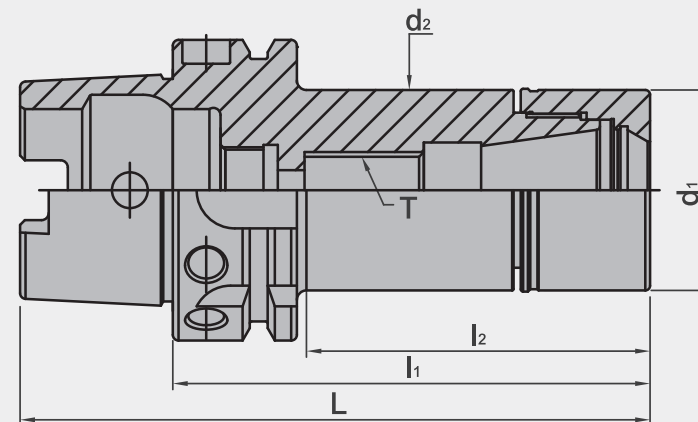
# 規格 Spec



## HSK/Pro.E 筒夾式刀桿 COLLET CHUCK

規格 Spec.	L	l <sub>1</sub>	l <sub>2</sub>	d <sub>1</sub>	d <sub>2</sub>	T	夾持範圍 Size Range	重量 (KGS) Weight
HSK40AxPro.E16-70	90	70	48	30	30	-	1~10	0.40
HSK40AxPro.E16-100	120	100	78	30	30	M10x1.5P	1~10	0.55
HSK40AxPro.E20-70	90	70	49	35	34	-	1~13	0.47
HSK40AxPro.E20-100	120	100	79	35	34	M12x1.75P	1~13	0.63
HSK40AxPro.E25-70	90	70	35	42	42	-	1~16	0.51
HSK40AxPro.E25-100	120	100	65	42	42	M16x2.0P	1~16	0.80
HSK40AxPro.E32-70	90	70	35	50	50	-	2~20	0.52
HSK40AxPro.E32-100	120	100	65	50	50	M16x2.0P	2~20	0.90
HSK50AxPro.E16-70	95	70	42	30	30	-	1~10	0.56
HSK50AxPro.E16-100	125	100	71	30	30	M10x1.5P	1~10	0.71
HSK50AxPro.E16-125	150	125	96	30	30	M10x1.5P	1~10	0.84
HSK50AxPro.E16-150	175	150	121	30	30	M10x1.5P	1~10	0.97
HSK50AxPro.E20-70	95	70	42	35	35	-	1~13	0.62
HSK50AxPro.E20-100	125	100	71	35	35	M12x1.75P	1~13	0.83
HSK50AxPro.E20-125	150	125	96	35	35	M12x1.75P	1~13	1.01
HSK50AxPro.E20-150	175	150	121	35	35	M12x1.75P	1~13	1.19
HSK50AxPro.E25-70	95	70	43.5	42	42	-	1~16	0.71
HSK50AxPro.E25-100	125	100	73.5	42	42	M16x2.0P	1~16	1.00
HSK50AxPro.E25-125	150	125	98.5	42	42	M16x2.0P	1~16	1.26

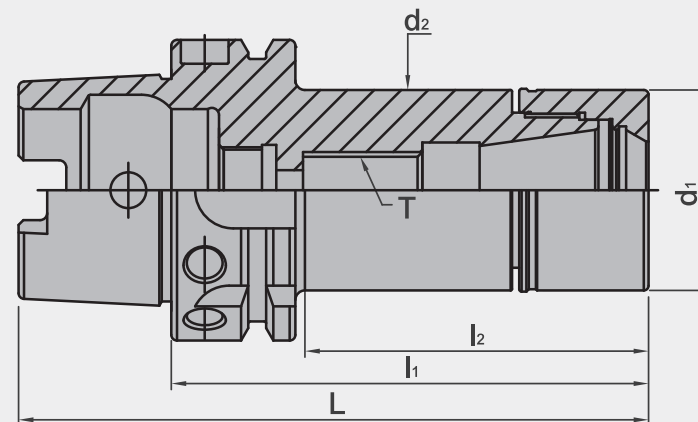
規格  
Spec



HSK/Pro.E 筒夾式刀桿  
COLLET CHUCK

規格 Spec.	L	l <sub>1</sub>	l <sub>2</sub>	d <sub>1</sub>	d <sub>2</sub>	T	夾持範圍 Size Range	重量 (KGS) Weight
HSK50AxPro.E25-150	175	150	123.5	42	42	M16x2.0P	1~16	1.52
HSK50AxPro.E32-80	105	80	53	50	50	-	2~20	0.82
HSK50AxPro.E32-100	125	100	73	50	50	M16x2.0P	2~20	1.05
HSK50AxPro.E32-125	150	125	98	50	50	M16x2.0P	2~20	1.37
HSK50AxPro.E32-150	175	150	123	50	50	M16x2.0P	2~20	1.71
HSK63AxPro.E16-70	102	70	39	30	30	-	1~10	0.82
HSK63AxPro.E16-100	132	100	69	30	30	M10x1.5P	1~10	0.97
HSK63AxPro.E16-125	157	125	94	30	30	M10x1.5P	1~10	1.09
HSK63AxPro.E16-150	182	150	119	30	30	M10x1.5P	1~10	1.22
HSK63AxPro.E16-200	232	200	169	30	30	M10x1.5P	1~10	1.47
HSK63AxPro.E20-70	102	70	39	35	35	-	1~13	0.88
HSK63AxPro.E20-100	132	100	69	35	35	M12x1.75P	1~13	1.08
HSK63AxPro.E20-125	157	125	94	35	35	M12x1.75P	1~13	1.25
HSK63AxPro.E20-150	182	150	119	35	35	M12x1.75P	1~13	1.43
HSK63AxPro.E20-200	232	200	169	35	35	M12x1.75P	1~13	1.78
HSK63AxPro.E25-70	102	70	41	42	42	-	1~16	0.97
HSK63AxPro.E25-100	132	100	71	42	42	M16x2.0P	1~16	1.26
HSK63AxPro.E25-125	157	125	96	42	42	M16x2.0P	1~16	1.51
HSK63AxPro.E25-150	192	150	121	42	42	M16x2.0P	1~16	1.77

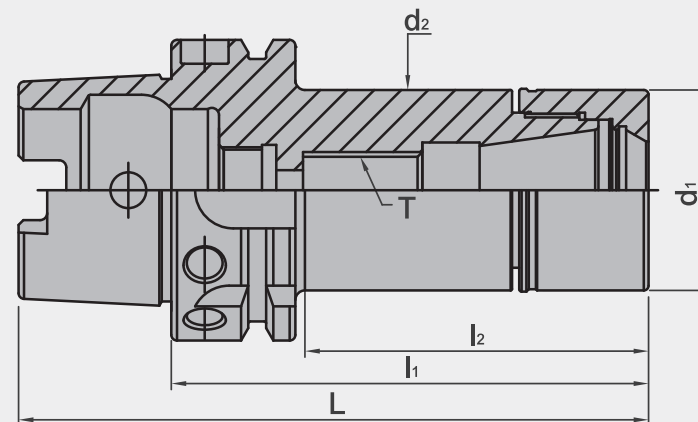
# 規格 Spec



## HSK/Pro.E 筒夾式刀桿 COLLET CHUCK

規格 Spec.	L	l <sub>1</sub>	l <sub>2</sub>	d <sub>1</sub>	d <sub>2</sub>	T	夾持範圍 Size Range	重量 (KGS) Weight
HSK63AxPro.E25-200	232	200	171	42	42	M16x2.0P	1~16	2.28
HSK63AxPro.E32-70	102	70	41	50	50	-	2~20	1.01
HSK63AxPro.E32-100	132	100	71	50	50	M16x2.0P	2~20	1.39
HSK63AxPro.E32-125	157	125	96	50	50	M16x2.0P	2~20	1.69
HSK63AxPro.E32-150	182	150	121	50	50	M16x2.0P	2~20	2.02
HSK63AxPro.E32-200	232	200	171	50	50	M16x2.0P	2~20	2.70
HSK80AxPro.E16-70	110	70	39	30	30	-	1~10	1.25
HSK80AxPro.E16-100	140	100	69	30	30	M10x1.5P	1~10	1.40
HSK80AxPro.E16-125	165	125	94	30	30	M10x1.5P	1~10	1.52
HSK80AxPro.E16-150	190	150	119	30	30	M10x1.5P	1~10	1.64
HSK80AxPro.E16-200	240	200	169	30	30	M10x1.5P	1~10	1.88
HSK80AxPro.E20-70	110	70	39	35	35	-	1~13	1.31
HSK80AxPro.E20-100	140	100	69	35	35	M12x1.75P	1~13	1.52
HSK80AxPro.E20-125	165	125	94	35	35	M12x1.75P	1~13	1.69
HSK80AxPro.E20-150	190	150	119	35	35	M12x1.75P	1~13	1.86
HSK80AxPro.E20-200	240	200	169	35	35	M12x1.75P	1~13	2.20
HSK80AxPro.E25-70	110	70	39	42	42	-	1~16	1.41
HSK80AxPro.E25-100	140	100	69	42	42	M16x2.0P	1~16	1.69
HSK80AxPro.E25-125	165	125	94	42	42	M16x2.0P	1~16	1.94

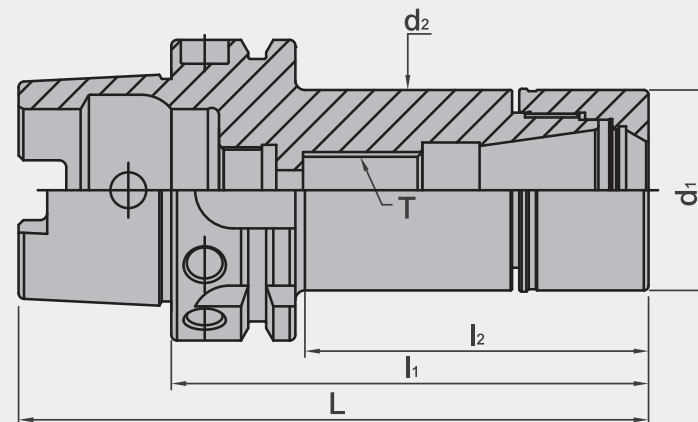
# 規格 Spec



## HSK/Pro.E 筒夾式刀桿 COLLET CHUCK

規格 Spec.	L	l <sub>1</sub>	l <sub>2</sub>	d <sub>1</sub>	d <sub>2</sub>	T	夾持範圍 Size Range	重量 (KGS) Weight
HSK80AxPro.E25-160	200	160	129	42	42	M16x2.0P	1~16	2.29
HSK80AxPro.E25-200	240	200	169	42	42	M16x2.0P	1~16	2.69
HSK80AxPro.E32-100	140	100	69	50	50	-	2~20	1.81
HSK80AxPro.E32-125	165	125	94	50	50	M16x2.0P	2~20	2.12
HSK80AxPro.E32-150	190	150	119	50	50	M16x2.0P	2~20	2.46
HSK80AxPro.E32-200	240	200	169	50	50	M16x2.0P	2~20	3.12
HSK100A xPro.E16-100	150	100	61	30	30	M10x1.5P	1~10	2.29
HSK100A xPro.E16-125	175	125	86	30	30	M10x1.5P	1~10	2.41
HSK100A xPro.E16-150	200	150	111	30	30	M10x1.5P	1~10	2.52
HSK100A xPro.E16-200	250	200	161	30	30	M10x1.5P	1~10	2.75
HSK100A xPro.E20-100	150	100	61	35	35	-	1~13	2.40
HSK100A xPro.E20-125	175	125	86	35	35	M12x1.75P	1~13	2.57
HSK100A xPro.E20-150	200	150	111	35	35	M12x1.75P	1~13	2.73
HSK100A xPro.E20-200	250	200	161	35	35	M12x1.75P	1~13	3.06
HSK100A xPro.E25-100	150	100	61	42	42	-	1~16	2.58
HSK100A xPro.E25-125	175	125	86	42	42	M16x2.0P	1~16	2.81
HSK100A xPro.E25-150	200	150	111	42	42	M16x2.0P	1~16	3.06
HSK100A xPro.E25-200	250	200	161	42	42	M16x2.0P	1~16	3.55
HSK100A xPro.E32-100	150	100	61	50	50	-	2~20	2.68

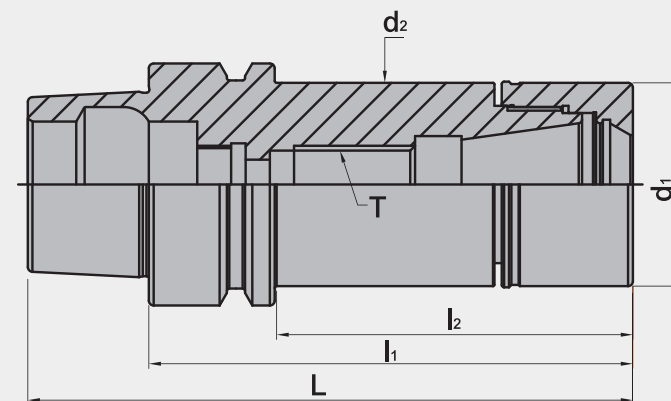
# 規格 Spec



## HSK/Pro.E 筒夾式刀桿 COLLET CHUCK

規格 Spec.	L	l <sub>1</sub>	l <sub>2</sub>	d <sub>1</sub>	d <sub>2</sub>	T	夾持範圍 Size Range	重量 (KGS) Weight
HSK100A xPro.E32-125	175	125	86	50	50	M16x2.0P	2~20	2.98
HSK100A xPro.E32-150	200	150	111	50	50	M16x2.0P	2~20	3.32
HSK100A xPro.E32-200	250	200	161	50	50	M16x2.0P	2~20	3.98
HSK125A xPro.E16-100	163	100	41	30	30	M10x1.5P	1~10	3.91
HSK125A xPro.E16-125	188	125	66	30	30	M10x1.5P	1~10	4.03
HSK125A xPro.E16-150	213	150	91	30	30	M10x1.5P	1~10	4.13
HSK125A xPro.E16-200	263	200	141	30	30	M10x1.5P	1~10	4.34
HSK125A xPro.E20-100	163	100	44	35	35	M12x1.75P	1~13	3.97
HSK125A xPro.E20-125	188	125	69	35	35	M12x1.75P	1~13	4.13
HSK125A xPro.E20-150	213	150	94	35	35	M12x1.75P	1~13	4.29
HSK125A xPro.E20-200	263	200	144	35	35	M12x1.75P	1~13	4.60
HSK125A xPro.E25-100	163	100	47	42	42	M16x2.0P	1~16	4.07
HSK125A xPro.E25-125	188	125	72	42	42	M16x2.0P	1~16	4.31
HSK125A xPro.E25-150	213	150	97	42	42	M16x2.0P	1~16	4.55
HSK125A xPro.E25-200	263	200	147	42	42	M16x2.0P	1~16	5.02
HSK125A xPro.E32-100	163	100	61	50	50	M16x2.0P	2~20	3.94
HSK125A xPro.E32-125	188	125	86	50	50	M16x2.0P	2~20	4.30
HSK125A xPro.E32-150	213	150	111	50	50	M16x2.0P	2~20	4.59
HSK125A xPro.E32-200	263	200	161	50	50	M16x2.0P	2~20	5.23

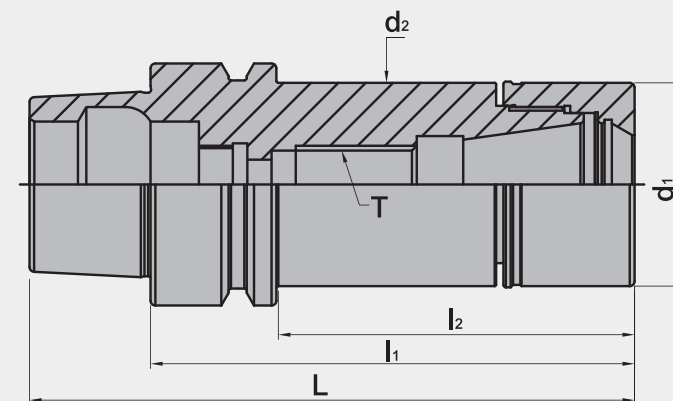
規格  
Spec



HSK-E/Pro.E 筒夾式刀桿  
COLLET CHUCK

規格 Spec.	L	l <sub>1</sub>	l <sub>2</sub>	d <sub>1</sub>	d <sub>2</sub>	T	夾持範圍 Size Range	重量 (KGS) Weight
HSK25ExPro.E16-60	73	60	49	30	30	-	1~10	0.22
HSK32ExPro.E16-65	81	65	44	30	30	-	1~10	0.29
HSK40ExPro.E16-60	80	60	39	30	30	-	1~10	0.37
HSK40ExPro.E20-100	120	100	79	35	34	M12x1.75P	1~13	0.68
HSK40ExPro.E20-125	145	125	104	35	34	M12x1.75P	1~13	0.85
HSK40ExPro.E25-70	90	70	49.5	42	42	-	1~16	0.53
HSK40ExPro.E25-100	120	100	79.5	42	42	M16x2.0P	1~16	0.82
HSK40ExPro.E25-125	145	125	104.5	42	42	M16x2.0P	1~16	1.08
HSK40ExPro.E25-150	170	150	129.5	42	42	M16x2.0P	1~16	1.34
HSK40ExPro.E32-70	90	70	49.5	50	50	M16x2.0P	2~20	0.53
HSK40ExPro.E32-100	120	100	79.5	50	50	M16x2.0P	2~20	0.92
HSK50ExPro.E16-70	95	70	41	30	30	-	1~10	0.60
HSK50ExPro.E16-100	125	100	71	30	30	M10x1.5P	1~10	0.75
HSK50ExPro.E20-70	95	70	41	35	35	-	1~13	0.66
HSK50ExPro.E20-100	125	100	71	35	35	M12x1.75P	1~13	0.86
HSK50ExPro.E20-125	150	125	96	35	35	M12x1.75P	1~13	1.04
HSK50ExPro.E20-150	175	150	121	35	35	M12x1.75P	1~13	1.22
HSK50ExPro.E25-70	95	70	43.5	42	42	-	1~16	0.70
HSK50ExPro.E25-100	125	100	73.5	42	42	M16x2.0P	1~16	0.99
HSK50ExPro.E32-70	95	70	43.5	50	50	-	2~20	0.73

# 規格 Spec



## HSK-E/Pro.E 筒夾式刀桿 COLLET CHUCK

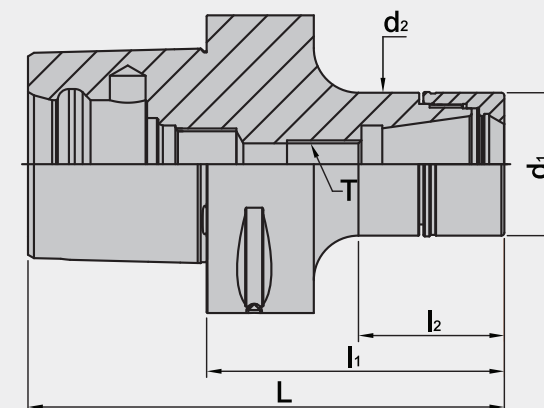
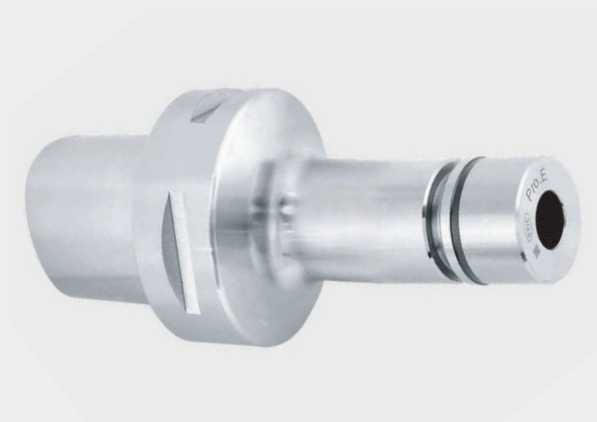
規格 Spec.	L	l1	l2	d1	d2	T	夾持範圍 Size Range	重量 (KGS) Weight
HSK50ExPro.E32-100	125	100	73	50	50	M16x2.0P	2~20	1.06
HSK50ExPro.E32-125	150	125	98	50	50	M16x2.0P	2~20	1.41
HSK50ExPro.E32-150	175	150	123	50	50	M16x2.0P	2~20	1.75

## HSK-F / Pro.E 筒夾式刀桿 COLLET CHUCK

規格 Spec.	L	l1	l2	d1	d2	T	夾持範圍 Size Range	重量 (KGS) Weight
HSK63FxPro.E16-70	95	70	39	30	30	-	1~10	0.82
HSK63FxPro.E16-100	125	100	69	30	30	M10x1.5P	1~10	0.97
HSK63FxPro.E16-125	150	125	94	30	30	M10x1.5P	1~10	1.10
HSK63FxPro.E20-70	95	70	39	35	35	-	1~13	0.88
HSK63FxPro.E20-100	125	100	69	35	35	M12x1.75P	1~13	1.09
HSK63FxPro.E20-125	150	125	94	35	35	M12x1.75P	1~13	1.27
HSK63FxPro.E20-150	175	150	119	35	35	M12x1.75P	1~13	1.45
HSK63FxPro.E25-70	95	70	41	42	42	-	1~16	0.97
HSK63FxPro.E25-100	125	100	71	42	42	M16x2.0P	1~16	1.26
HSK63FxPro.E25-125	150	125	96	42	42	M16x2.0P	1~16	1.52
HSK63FxPro.E32-70	95	70	41	50	50	-	2~20	1.00
HSK63FxPro.E32-100	125	100	71	50	50	M16x2.0P	2~20	1.38
HSK63FxPro.E32-125	150	125	96	50	50	M16x2.0P	2~20	1.70
HSK63FxPro.E32-150	175	150	121	50	50	M16x2.0P	2~20	2.04



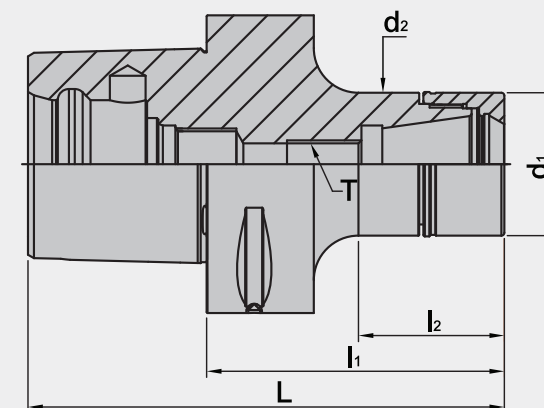
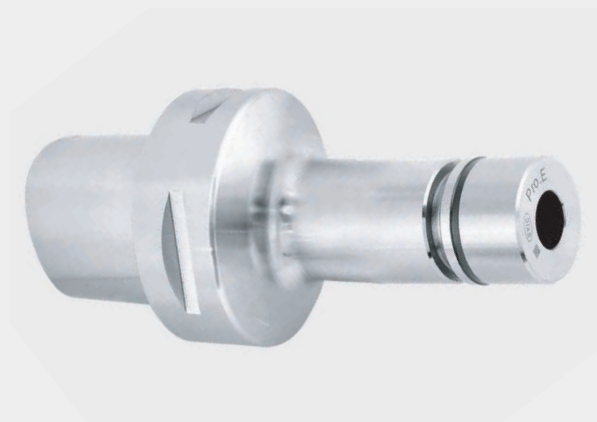
# 規格 Spec



## PSC/Pro.E 筒夾式刀桿 COLLET CHUCK

規格 Spec.	L	l <sub>1</sub>	l <sub>2</sub>	d <sub>1</sub>	d <sub>2</sub>	T	夾持範圍 Size Range	重量 (KGS) Weight
PSC40xPro.E16-70	94	70	47	30	30	M10x1.5P	1~10	0.47
PSC40xPro.E16-100	124	100	77	30	30	M10x1.5P	1~10	0.60
PSC40xPro.E20-70	94	70	47.5	35	35	M12x1.75P	1~13	0.54
PSC40xPro.E20-100	124	100	77.5	35	35	M12x1.75P	1~13	0.73
PSC40xPro.E25-70	94	70	49	42	42	M16x2.0P	1~16	0.64
PSC40xPro.E25-100	124	100	79	42	42	M16x2.0P	1~16	0.93
PSC40xPro.E32-70	94	70	46	50	50	M16x2.0P	2~20	0.68
PSC40xPro.E32-100	124	100	76	50	50	M16x2.0P	2~20	1.04
PSC40xPro.E32-125	149	125	101	50	50	M16x2.0P	2~20	1.36
PSC40xPro.E32-150	174	150	126	50	50	M16x2.0P	2~20	1.69
PSC50xPro.E16-70	100	70	45	30	30	-	1~10	0.63
PSC50xPro.E16-100	130	100	75	30	30	M10x1.5P	1~10	0.78
PSC50xPro.E16-125	155	125	100	30	30	M10x1.5P	1~10	0.88
PSC50xPro.E16-150	180	150	125	30	30	M10x1.5P	1~10	0.99
PSC50xPro.E20-70	100	70	47	35	35	-	1~13	0.70
PSC50xPro.E20-100	130	100	77	35	35	M12x1.75P	1~13	0.90
PSC50xPro.E20-125	155	125	102	35	35	M12x1.75P	1~13	1.05
PSC50xPro.E20-150	180	150	127	35	35	M12x1.75P	1~13	1.21
PSC50xPro.E25-70	100	70	49	42	42	-	1~16	0.80

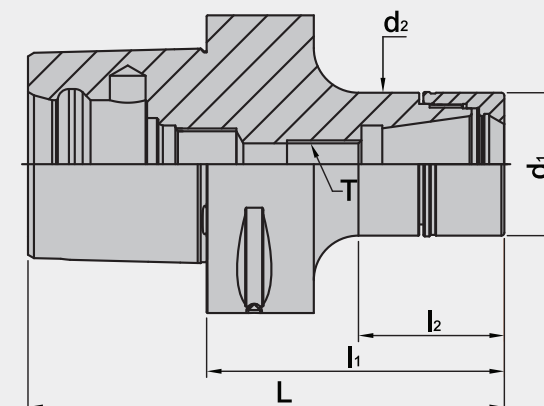
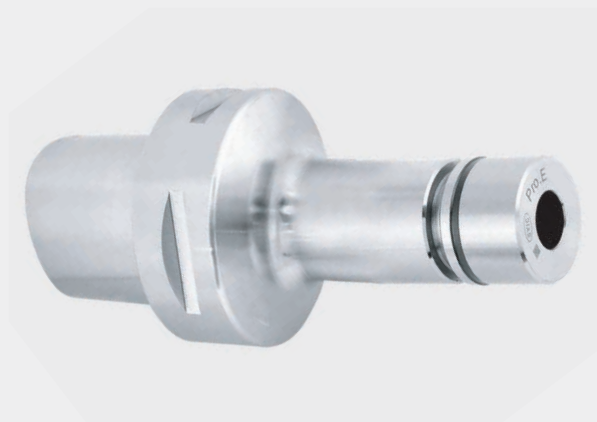
# 規格 Spec



## PSC/Pro.E 筒夾式刀桿 COLLET CHUCK

規格 Spec.	L	l <sub>1</sub>	l <sub>2</sub>	d <sub>1</sub>	d <sub>2</sub>	T	夾持範圍 Size Range	重量 (KGS) Weight
PSC50xPro.E25-100	130	100	79	42	42	M16x2.0P	1~16	1.09
PSC50xPro.E25-125	155	125	104	42	42	M16x2.0P	1~16	1.32
PSC50xPro.E25-150	180	150	129	42	42	M16x2.0P	1~16	1.56
PSC50xPro.E32-70	100	70	49	50	50	-	2~20	0.84
PSC50xPro.E32-100	130	100	79	50	50	M16x2.0P	2~20	1.23
PSC50xPro.E32-125	155	125	104	50	50	M16x2.0P	2~20	1.54
PSC50xPro.E32-150	180	150	129	50	50	M16x2.0P	2~20	1.85
PSC40xPro.E32-100	124	100	76	50	50	M16x2.0P	2~20	1.04
PSC40xPro.E32-125	149	125	101	50	50	M16x2.0P	2~20	1.36
PSC40xPro.E32-150	174	150	126	50	50	M16x2.0P	2~20	1.69
PSC63xPro.E16-70	108	70	43	30	30	-	1~10	0.94
PSC63xPro.E16-100	138	100	73	30	30	M10x1.5P	1~10	1.09
PSC63xPro.E16-125	163	125	98	30	30	M10x1.5P	1~10	1.18
PSC63xPro.E16-150	188	150	123	30	30	M10x1.5P	1~10	1.26
PSC63xPro.E16-200	238	200	173	30	30	M10x1.5P	1~10	1.44
PSC63xPro.E20-70	108	70	43	35	35	-	1~13	1.00
PSC63xPro.E20-100	138	100	70	35	35	M12x1.75P	1~13	1.21
PSC63xPro.E20-125	163	125	95	35	35	M12x1.75P	1~13	1.35
PSC63xPro.E20-150	188	150	120	35	35	M12x1.75P	1~13	1.49

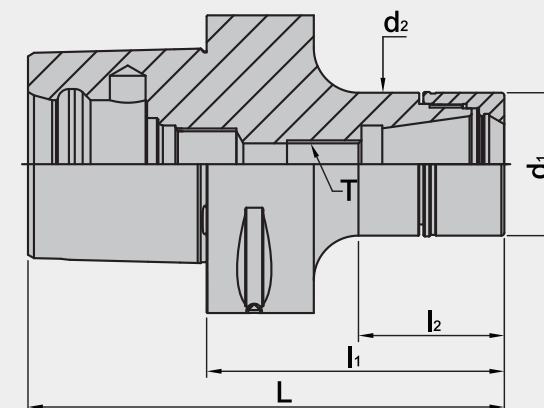
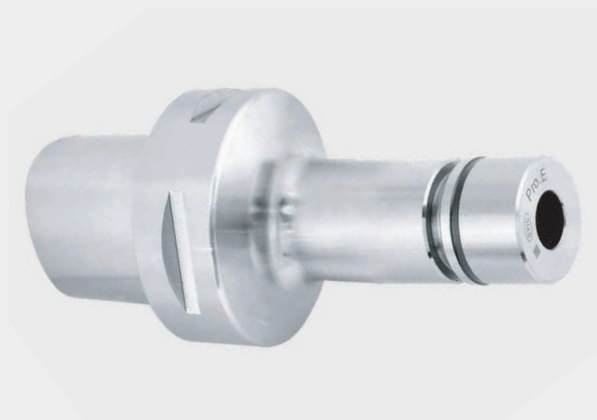
規格  
Spec



PSC/Pro.E 筒夾式刀桿  
COLLET CHUCK

規格 Spec.	L	l <sub>1</sub>	l <sub>2</sub>	d <sub>1</sub>	d <sub>2</sub>	T	夾持範圍 Size Range	重量 (KGS) Weight
PSC63xPro.E20-200	238	200	170	35	35	M12x1.75P	1~13	1.76
PSC63xPro.E25-70	108	70	45	42	42	-	1~16	1.11
PSC63xPro.E25-100	138	100	75	42	42	M16x2.0P	1~16	1.39
PSC63xPro.E25-125	163	125	100	42	42	M16x2.0P	1~16	1.60
PSC63xPro.E25-150	188	150	125	42	42	M16x2.0P	1~16	1.82
PSC63xPro.E25-200	238	200	175	42	42	M16x2.0P	1~16	2.26
PSC63xPro.E32-70	108	70	45	50	50	-	2~20	1.16
PSC63xPro.E32-100	138	100	75	50	50	M16x2.0P	2~20	1.52
PSC63xPro.E32-125	163	125	100	50	50	M16x2.0P	2~20	1.82
PSC63xPro.E32-150	188	150	125	50	50	M16x2.0P	2~20	2.12
PSC63xPro.E32-200	238	200	175	50	50	M16x2.0P	2~20	2.72
PSC80xPro.E16-100	148	100	65	30	30	M10x1.5P	1~10	2.00
PSC80xPro.E16-125	173	125	90	30	30	M10x1.5P	1~10	2.13
PSC80xPro.E16-150	198	150	110	30	30	M10x1.5P	1~10	2.27
PSC80xPro.E16-200	248	200	160	30	30	M10x1.5P	1~10	2.52
PSC80xPro.E20-100	148	100	65	35	35	M12x1.75P	1~13	2.10
PSC80xPro.E20-125	173	125	90	35	35	M12x1.75P	1~13	2.28
PSC80xPro.E20-150	198	150	110	35	35	M12x1.75P	1~13	2.46
PSC80xPro.E20-200	248	200	160	35	35	M12x1.75P	1~13	2.80

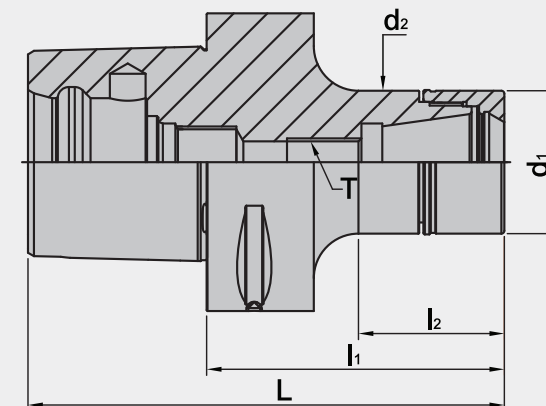
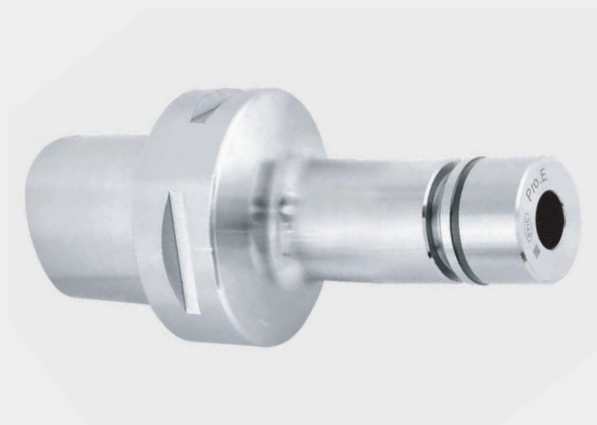
# 規格 Spec



## PSC/Pro.E 筒夾式刀桿 COLLET CHUCK

規格 Spec.	L	l <sub>1</sub>	l <sub>2</sub>	d <sub>1</sub>	d <sub>2</sub>	T	夾持範圍 Size Range	重量 (KGS) Weight
PSC80xPro.E25-100	148	100	65	42	42	M16x2.0P	1~16	2.26
PSC80xPro.E25-125	173	125	90	42	42	M16x2.0P	1~16	2.50
PSC80xPro.E25-150	198	150	110	42	42	M16x2.0P	1~16	2.76
PSC80xPro.E25-200	248	200	160	42	42	M16x2.0P	1~16	3.23
PSC80xPro.E32-100	148	100	65	50	50	M16x2.0P	2~20	2.38
PSC80xPro.E32-125	173	125	90	50	50	M16x2.0P	2~20	2.68
PSC80xPro.E32-150	198	150	115	50	50	M16x2.0P	2~20	3.00
PSC80xPro.E32-200	248	200	165	50	50	M16x2.0P	2~20	3.64
PSC100xPro.E16-100	160	100	44	30	30	M10x1.5P	1~10	3.98
PSC100xPro.E16-125	185	125	69	30	30	M10x1.5P	1~10	4.11
PSC100xPro.E16-150	210	150	94	30	30	M10x1.5P	1~10	4.23
PSC100xPro.E16-200	260	200	144	30	30	M10x1.5P	1~10	4.48
PSC100xPro.E20-100	160	100	49	35	35	M12x1.75P	1~13	3.94
PSC100xPro.E20-125	185	125	74	35	35	M12x1.75P	1~13	4.13
PSC100xPro.E20-150	210	150	99	35	35	M12x1.75P	1~13	4.30
PSC100xPro.E20-200	260	200	149	35	35	M12x1.75P	1~13	4.63
PSC100xPro.E25-100	160	100	49	42	42	M16x2.0P	1~16	4.08
PSC100xPro.E25-125	185	125	74	42	42	M16x2.0P	1~16	4.32
PSC100xPro.E25-150	210	150	99	42	42	M16x2.0P	1~16	4.55

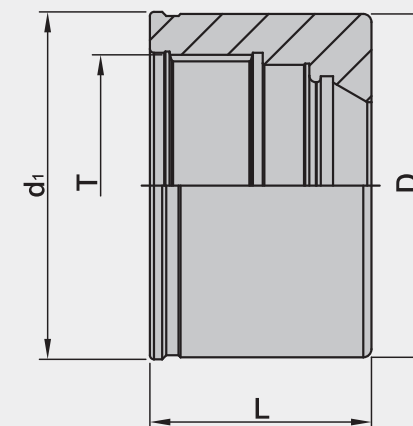
規格  
Spec



PSC/Pro.E 筒夾式刀桿  
COLLET CHUCK

規格 Spec.	L	l <sub>1</sub>	l <sub>2</sub>	d <sub>1</sub>	d <sub>2</sub>	T	夾持範圍 Size Range	重量 (KGS) Weight
PSC100xPro.E25-200	260	200	149	42	42	M16x2.0P	1~16	5.03
PSC100xPro.E32-100	160	100	49	50	50	M16x2.0P	2~20	4.16
PSC100xPro.E32-125	185	125	74	50	50	M16x2.0P	2~20	4.49
PSC100xPro.E32-150	210	150	99	50	50	M16x2.0P	2~20	4.81
PSC100xPro.E32-200	260	200	149	50	50	M16x2.0P	2~20	5.44

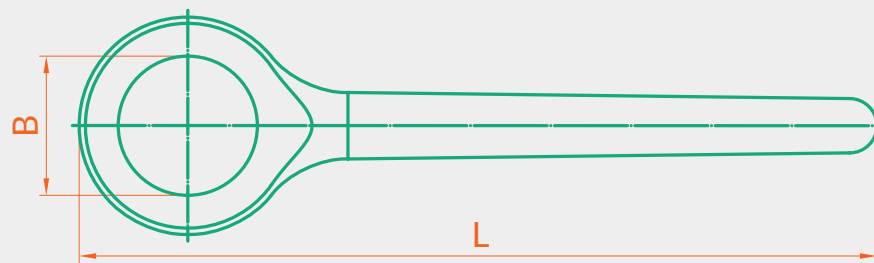
規格  
Spec



螺帽 Clamping Nut

規格 Spec.	L	D	d1	T	建議扭力值 Recommended Tightening Torque	重量 (KGS) Weight
Pro.E16-A	22	30	30.5	M22 x 1.5P	40 N-m	0.10
Pro.E20-A	25	35	35.5	M27 x 1.5P	60 N-m	0.10
Pro.E25-A	27.1	42	42.5	M32 x 1.5P	80 N-m	0.16
Pro.E32-A	27.2	50	50.5	M40 x 1.5P	110 N-m	0.16

規格  
Spec



## 軸承扳手 Bearing Spanner

規格 Spec.	適用規格 Applicable Spec.	L	D	重量 (KGS) Weight
ER16W-RDQ	SKS10W-RDQ/PNER16/UTER16/Pro.E16	195	30	0.40
UTER20	UTER20/Pro.E20	235	35	0.64
ER25W-RDQ	UTER25/Pro.E25	235	42	0.67
ER32W-RDQ	PNER32/Pro.E32	235	50	0.69



正河源股份有限公司  
CHAIN HEADWAY CO.,LTD.

☎ TEL : +886-4-26265252

☎ FAX : +886-4-26267941

📍 地址 : 台灣台中市清水區五權路232號  
No. 232, Wuquan Rd., Qingshui Dist., Taichung City 436, Taiwan

🌐 網址 : [www.chain-headway.com](http://www.chain-headway.com)



Website(中文)



Website(EN)



LINE



Whatsapp



Wechat



Facebook



YouTube

公司聯絡資訊請貼於此處  
Company Information Please Paste here

其他服務據點訊息請透過官網查詢  
Other Sales Region Please Review Our Website