



DP 減震系列
Anti Vibration Series

CHAIN HEADWAY
Cutting Edge Solution

刀桿減震器

Anti Vibration Tool

具吸收縱/橫向震波


Able to absorb radial
and axial vibration

| 適用市面上所有通用銑刀盤

Suitable for every generic milling
cutter on market

| 更快的切削進給及良好的加工表面精度

Higher cutting feed rate and better
surface accuracy



Effective Length

加工有效長

532mm (7.8D)

487mm (7.1D)

377mm (5.5D)

減震刀桿

BT50-CK6DP-505L



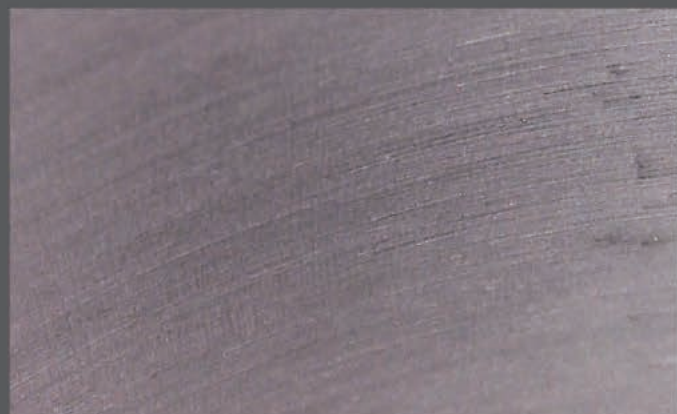
減震延長桿

SCK6DP-6-170L



一般刀桿

SCK6-6-60L



Anti-Vibration

減震搪頭比較表

Anti-Vibration Boring Head Overview

	一般精搪頭 Finish Boring Head	減震搪頭 Anti-Vibration Boring Head	減震延長桿 Anti-Vibration Extension	減震搪刀桿 Anti-Vibration Boring Head Shank
精度 Accuracy	++	++	+	++
剛性 Rigidity	++	++	+	+
減震效果 Anti-Vibration Effect	-	++	○	+

減震車刀比較表

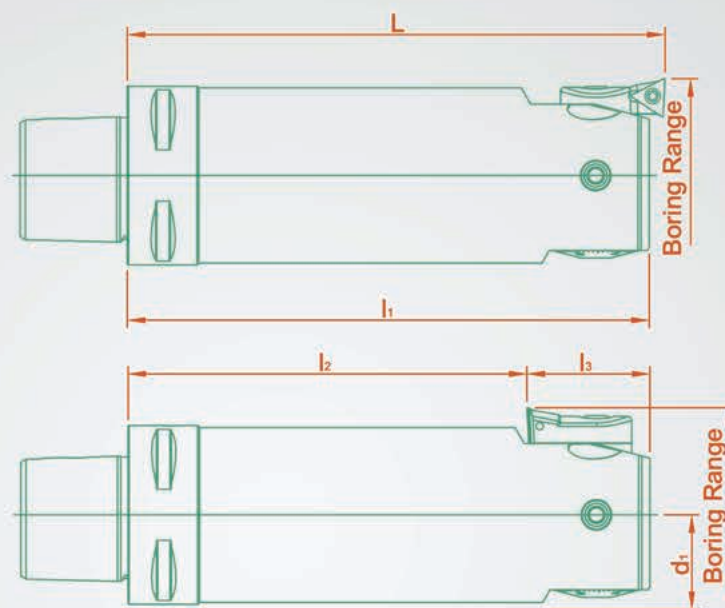
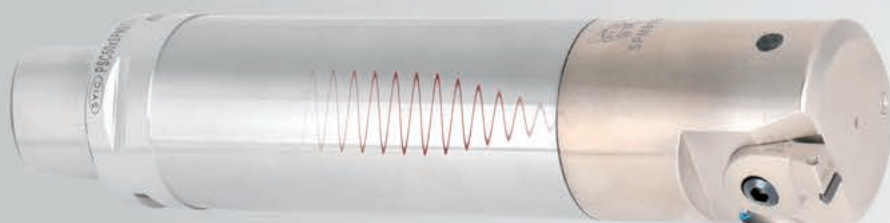
Anti-Vibration Boring Bars Overview

	一般鎢鋼車刀 Tungsten Carbide Boring Bars	減震車刀 Anti-Vibration Boring Bars	減震鎢鋼車刀 Anti-Vibration Tungsten Carbide Boring Bars
精度 Accuracy	○	+	++
剛性 Rigidity	○	+	++
減震效果 Anti-Vibration Effect	-	++	++
加工深度 Cutting Depth	7D 以下	8D 以上	10D 以上

++ 佳 Very good + 好 Good ○ 普通 Neutral - 不好 Bad

規格

Spec



SPMB 減震精密微調搪頭
Anti-Vibration Fine Boring Head

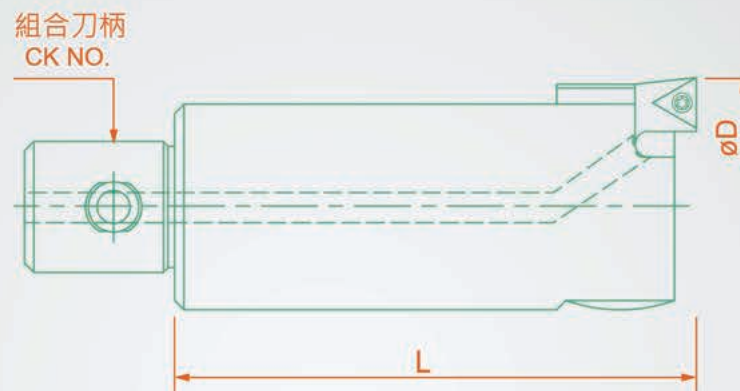
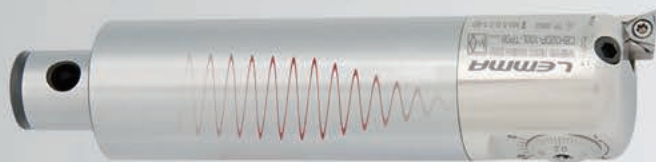
規格 Spec.	øD 搪孔範圍 Boring Range(正搪)				øD 搪孔範圍 Boring Range(背搪)					刀片座 Insert Seat	刀片 Insert	螺絲 Screw	重量 (KGS) Weight
	Min.	Max.	L	l1	Min.	Max.	l2	l3	d1				
PSC32xPMB32DP-115	32	42	115	110	-	-	90	25	16	SIB32-1/SIC32-1	TB..0601 TP..0802	M2-5.0-2.7-60	-
	41	51	115	110	46	51	90	25	16	SIB32-2/SIC32-2			-
	50	60	115	110	50	60	90	25	16	SIB32-3/SIC32-3			-
PSC40xPMB41DP-125	41	54	125	121	-	-	96	29	20	SIB41-1/SIC41-1	TP..0902 TC..1102	M2.5-6.0-3.5-60	-
	50	63	125	121	53	63	96	29	20	SIB41-2/SIC41-2			-
	61	74	125	121	61	74	96	29	20	SIB41-3/SIC41-3			-
PSC50xPMB53DP-150	53	70	150	146	62	70	116	34	25.5	SIB53-1/SIC53-1	TP..0902 TC..1102	M2.5-6.0-3.5-60	-
	65	82	150	146	65	82	116	34	25.5	SIB53-2/SIC53-2			-
	78	95	150	146	78	95	116	34	25.5	SIB53-3/SIC53-3			-
PSC63xPMB68DP-190	68	100	190	186.2	80	100	114.8	45.2	32.5	SIB68-1/SIC68-1	TP..0902 TC..1102	M2.5-6.0-3.5-60	-
	94	126	190	186.2	94	126	114.8	45.2	32.5	SIB68-2/SIC68-2			-
	118	150	190	186.2	118	150	114.8	45.2	32.5	SIB68-3/SIC68-3			-

※ 不含 SIB/SIC 刀片座，刀片座需另外購買 Not including SIB/SIC insert seat, insert seat need purchase separately.



規格

Spec

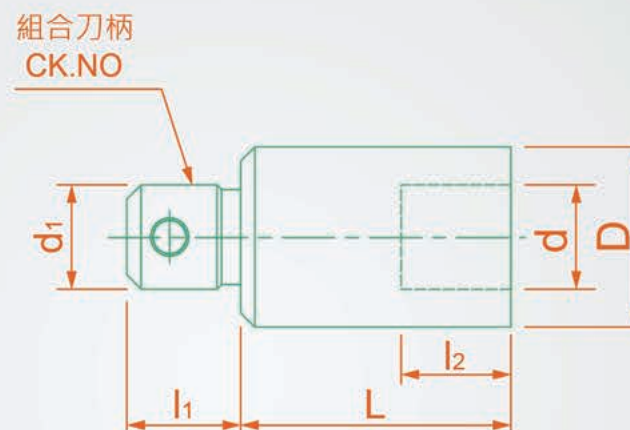
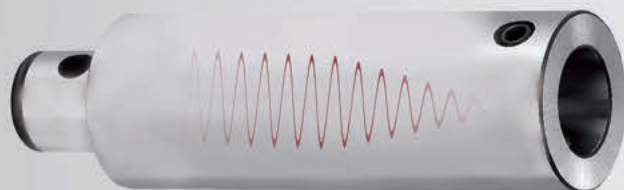


CBH/DP 減震精搪頭 Anti-Vibration Fine Boring Head

規格 Spec.	øD 搪孔範圍 Boring Range		組合刀柄 Ck No.	L	使用刀片 Insert	螺絲 Screw	扳手 Wrench	扭力值 (N.m) Torque	重量 (KGS) Weight
	Min.	Max.							
CBH20DP-90L-TP08	20	26	CK1	90	TP.0802	M2-5.0-3.1-60	T6	0.6	0.22
CBH25DP-90L-TP08	25	33	CK2	90	TP.0802	M2-5.0-3.1-60	T6	0.6	0.39
CBH32DP-100L-TP08	32	42	CK3	100	TP.0802	M2-5.0-3.1-60	T6	0.6	0.71
CBH40DP-110L-TP08	40	55	CK4	110	TP.0802	M2-5.0-3.1-60	T6	0.6	1.27
CBH52DP-140L-TP08	52	75	CK5	140	TP.0802	M2-5.0-3.1-60	T6	0.6	2.72
CBH68DP-175L-TP08	68	102	CK6	175	TP.0802	M2-5.0-3.1-60	T6	0.6	5.70
CBH68DP-175L-TP09	68	102	CK6	175	TP.0902	M2.5-6.0-3.5-60	T8	1.2	5.70
CBH68DP-175L-TC11	68	102	CK6	175	TC..1102	M2.5-6.0-3.5-60	T8	1.2	5.70

規格

Spec

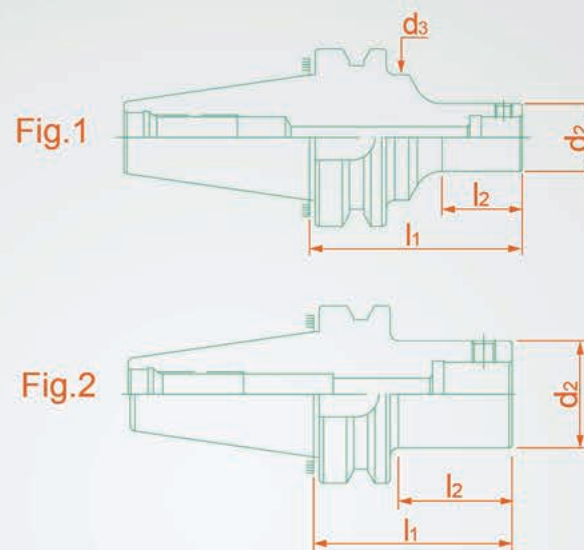


SCK/DP 減震延長桿 Anti-Vibration Extension

規格 Spec.	組合刀柄 Ck No.	L	l ₁	l ₂	D	d	d ₁	適用搪孔頭 Suitable Boring Head	重量 (KGS) Weight
SCK2DP-2-75L	CK2	75	16	18	24	14	14	CBH25/MBH25	0.33
SCK3DP-3-100L	CK3	100	20	22	31	18	18	CBH32/MBH32	0.62
SCK4DP-4-110L	CK4	110	24	26	39	22	22	CBH40/MBH40	1.11
SCK5DP-5-130L	CK5	130	30	32	50	28	28	CBH52/MBH52/FBH55	2.30
SCK6DP-6-170L	CK6	170	40	42	64	36	36	CBH68/MBH68/FBH68	5.10

規格

Spec

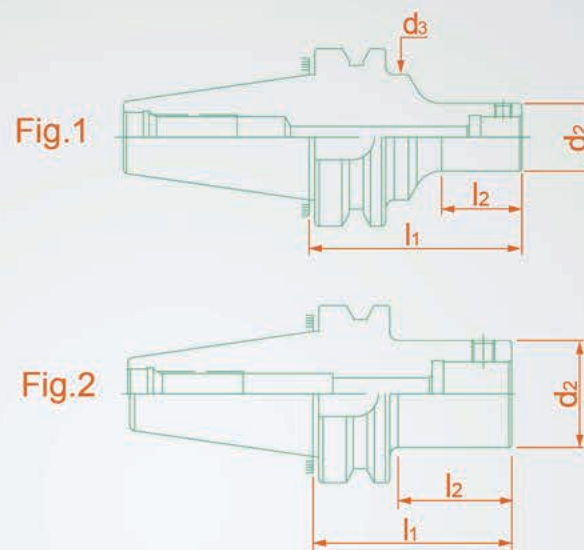


CK/DP 減震搪孔刀桿 (6 倍長)
Anti-Vibration Boring Head Shank(6 Times Longer)

規格 Spec.	l1	l2	d2	d3	適用搪孔頭 Suitable Boring Head	Fig.	重量 (KGS) Weight
BT40x CK2DP-150	150	110	24	39	SMB25/SCK2430-C/SCK2940-C	1	-
BT40x CK3DP-200	200	160	31	50	SMB32/SCK3950-C	1	-
BT40x CK4DP-235	235	200	39	50	SMB41/SCK4965-C	1	-
BT40x CK5DP-310	310	280	50	-	SMB53/SCK6382-C	2	-
BT40x CK6DP-295	295	270	64	-	SMB68/SCK80102-C	2	-
BT50x CK2DP-160	160	110	24	39	SMB25/SCK2430-C/SCK2940-C	1	-
BT50x CK3DP-220	220	160	31	50	SMB32/SCK3950-C	1	-
BT50x CK4DP-260	260	205	39	64	SMB41/SCK4965-C	1	-
BT50x CK5DP-310	310	265	50	64	SMB53/SCK6382-C	1	-
BT50x CK6DP-375	375	330	64	-	SMB68/SCK80102-C	2	-

規格

Spec

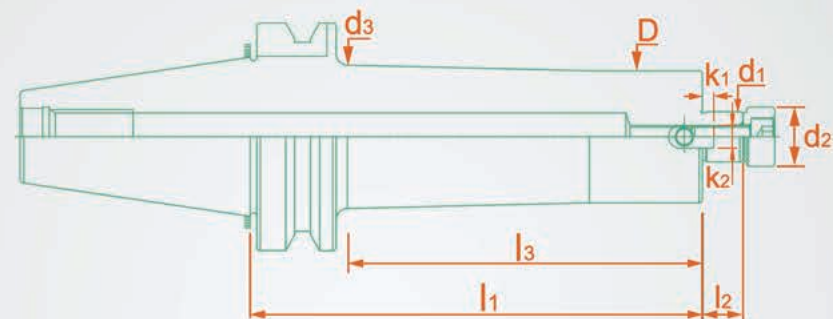


CK/DP 減震搪孔刀桿 (8 倍長)
Anti-Vibration Boring Head Shank(8 Times Longer)

規格 Spec.	l ₁	l ₂	d ₂	d ₃	適用搪孔頭 Suitable Boring Head	Fig.	重量 (KGS) Weight
BT40 x CK2DP-200	200	160	24	39	SMB25/SCK2430-C/SCK2940-C	1	-
BT40 x CK3DP-260	260	220	31	50	SMB32/SCK3950-C	1	-
BT40 x CK4DP-315	315	280	39	50	SMB41/SCK4965-C	1	-
BT50 x CK2DP-210	210	160	24	39	SMB25/SCK2430-C/SCK2940-C	1	-
BT50 x CK3DP-280	280	220	31	50	SMB32/SCK3950-C	1	-
BT50 x CK4DP-340	340	285	39	64	SMB41/SCK4965-C	1	-
BT50 x CK5DP-400	400	355	50	64	SMB53/SCK6382-C	1	-
BT50 x CK6DP-505	505	460	64	-	SMB68/SCK80102-C	2	-

規格

Spec



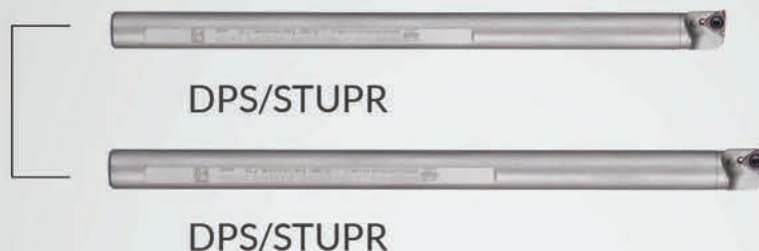
FDP 減震銑刀桿
Anti-Vibration Face Mill Arbor

規格 Spec.	l ₁	l ₂	l ₃	D	d ₁	d ₂	d ₃	k ₁	k ₂	重量 (KGS) Weight
BT50 x FDP22-300BG	300	19	255	58	22	31.75	61	4.25	10	-
BT50 x FDP22-350BG	350	19	305	58	22	31.75	61	4.25	10	-
BT50 x FDP22-400BG	400	19	355	58	22	31.75	61	4.25	10	-
BT50 x FDP22-500BG	500	19	455	58	22	31.75	61	4.25	10	-
BT50 x FDP27-300BG	300	20	255	60	27	31.5	78	5.8	12	-
BT50 x FDP27-350BG	350	20	305	60	27	31.5	78	5.8	12	-
BT50 x FDP27-400BG	400	20	355	60	27	31.5	78	5.8	12	-
BT50 x FDP27-450BG	450	20	405	60	27	31.5	78	5.8	12	-
BT50 x FDP27-500BG	500	20	455	60	27	31.5	78	5.8	12	-
BT50 x FDP32-300BG	300	22	255	78	32	41	85	6.8	14	-
BT50 x FDP32-400BG	400	22	355	78	32	41	85	6.8	14	-
BT50 x FDP32-500BG	500	22	455	78	32	41	85	6.8	14	-
BT50 x FDP32-600BG	600	22	555	78	32	41	85	6.8	14	-

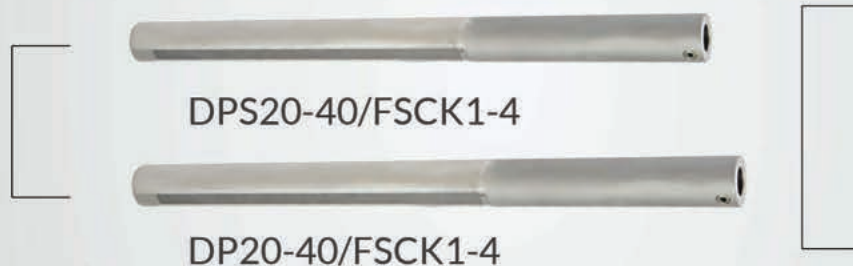
減震車刀系列

Anti-vibration Series

一體式
Integrated

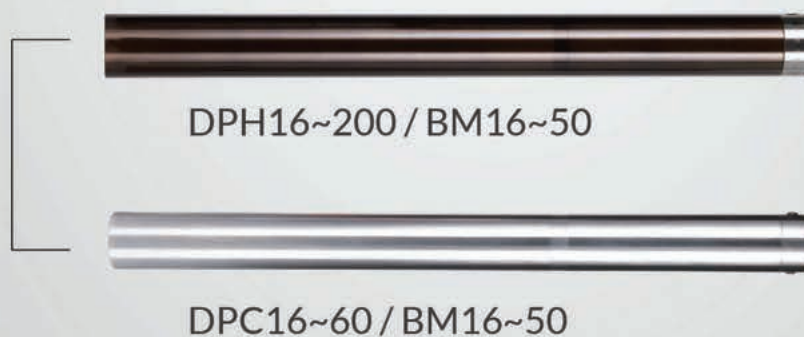


FSCK 模組化系列
FSCK Modular Series



FSCK/SCLC, SCLP, SCKC, SDZC
FSCK/SDUC, STFC, STUC, STUP
FSCK/SVJC, MCLN, MTUN, SDQC
FSCK/SSSC, SVUC, SIR

BM 模組化系列
BM Modular Series



BM/SCLC, STUC, SNR
BM/SDUC, STUP, SVUC
BM/MCLNR, MTUNR

規格

Spec



DPSTUPR 一體式減震車刀架 - 出水型 (8 倍長) Anti-Vibration Integrated Boring Bars-Coolant(8 Times Longer)

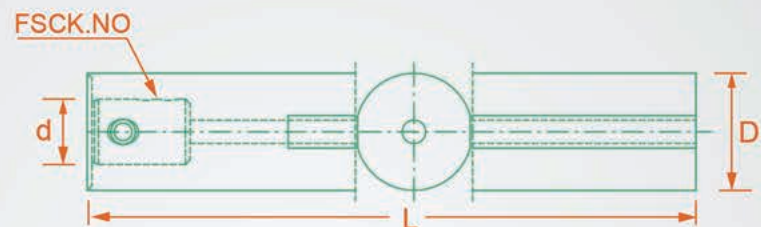
規格 Spec.	L	D	d	F	使用刀片 Insert	螺絲 Screw	扳手 Wrench	扭力值 (N.m) Torque	重量 (KGS) Weight
DPS12-STUPR-09-14-196L-C	196	12	14	7.5	TP.0902	M2.5-6.0-3.5-60	T8	1.2	-
DPS12-STUPR-11-14-196L-C	196	12	14	7.5	TP..1103	M3-8.0-4.0-43	T9	1.4	-
DPS16-STUPR-11-18-228L-C	228	16	18	9.5	TP..1103	M3-8.0-4.0-43	T9	1.4	-

DPSTUPR 一體式減震車刀架 - 出水型 (10 倍長) Anti-Vibration Integrated Boring Bars-Coolant(10 Times Longer)

規格 Spec.	L	D	d	F	使用刀片 Insert	螺絲 Screw	扳手 Wrench	扭力值 (N.m) Torque	重量 (KGS) Weight
DPC12-STUPR-09-14-220L-C	220	12	14	7.5	TP.0902	M2.5-6.0-3.5-60	T8	1.2	-
DPC12-STUPR11-14-220L-C	220	12	14	7.5	TP..1103	M3-8.0-4.0-43	T9	1.4	-
DPC16-STUPR-11-18-260L-C	260	16	18	9.5	TP..1103	M3-8.0-4.0-43	T9	1.4	-

規格

Spec



DPFSCK 模組化減震車刀柄 - 出水型 (8 倍長) Anti-Vibration Modular Boring Head Shank-Coolant(8 Times Longer)

規格 Spec.	L	D	d	螺絲 Screw	扳手 Wrench	扭力值 (N.m) Torque	重量 (KGS) Weight
DPS20-FSCK1-240L-C	240	20	11	FSCK1-M5	PL2.5	5.0	-
DPS25-FSCK2-275L-C	275	25	14	FSCK2-M6	PL3	5.0	-
DPS32-FSCK3-326L-C	326	32	18	FSCK3-M6	PL3	5.0	-
DPS40-FSCK4-410L-C	410	40	22	FSCK4-M8	PL4	6.0	-

DPFSCK 模組化減震車刀柄 - 出水型 (10 倍長) Anti-Vibration Modular Boring Head Shank-Coolant(10 Times Longer)

規格 Spec.	L	D	d	螺絲 Screw	扳手 Wrench	扭力值 (N.m) Torque	重量 (KGS) Weight
DPC20-FSCK1-280L-C	280	20	11	FSCK1-M5	PL2.5	5.0	-
DPC25-FSCK2-325L-C	325	25	14	FSCK2-M6	PL3	5.0	-
DPC32-FSCK3-390L-C	390	32	18	FSCK3-M6	PL3	5.0	-
DPC40-FSCK4-490L-C	490	40	22	FSCK4-M8	PL4	6.0	-

規格

Spec



BM 模組化高硬度減震車刀柄 (6 倍長) Anti-Vibration Turning Holder(6 Times Longer)

規格 Spec.	L	D	重量 (KGS) Weight
DPH16-BM16-150L	150	16	0.28
DPH20-BM20-180L	180	20	0.55
DPH25-BM25-210L	210	25	0.97
DPH32-BM32-260L	260	32	1.93
DPH40-BM40-320L	320	40	2.87
DPH50-BM50-420L	420	50	7.10
DPH60-BM50-460L	460	60	9.82

BM 模組化高硬度減震車刀柄 (7 倍長) Anti-Vibration Turning Holder(7 Times Longer)

規格 Spec.	L	D	重量 (KGS) Weight
DPH40-BM40-360L	360	40	3.57

規格

Spec



BM 模組化高硬度減震車刀柄 (8 倍長) Anti-Vibration Turning Holder(8 Times Longer)

規格 Spec.	L	D	重量 (KGS) Weight
DPH16-BM16-180L	180	16	0.33
DPH20-BM20-220L	220	20	0.65
DPH25-BM25-260L	260	25	1.16
DPH32-BM32-320L	320	32	2.28
DPH50-BM50-520L	520	50	8.39
DPH60-BM50-580L	580	60	11.53

BM 模組化高硬度減震車刀柄 (9 倍長) Anti-Vibration Turning Holder(9 Times Longer)

規格 Spec.	L	D	重量 (KGS) Weight
DPH40-BM40-440L	440	40	4.27

規格

Spec



BM 模組化高硬度減震車刀柄 (10 倍長) Anti-Vibration Turning Holder(10 Times Longer)

規格 Spec.	L	D	重量 (KGS) Weight
DPH32-BM32-380L	380	32	2.63
DPH50-BM50-620L	620	50	9.68
DPH60-BM50-700L	700	60	13.24

BM 模組化高硬度減震車刀柄 (11 倍長) Anti-Vibration Turning Holder(11 Times Longer)

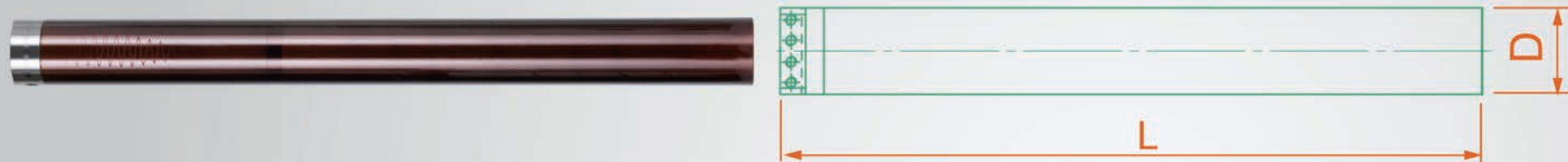
規格 Spec.	L	D	重量 (KGS) Weight
DPH40-BM40-520L	52	40	4.97

BM 模組化高硬度減震車刀柄 (12 倍長) Anti-Vibration Turning Holder(11 Times Longer)

規格 Spec.	L	D	重量 (KGS) Weight
DPH50-BM50-720L	720	50	7.10
DPH60-BM50-820L	820	60	15.01

規格

Spec



BM 模組化高硬度大柄徑減震車刀柄 (8 倍長) Anti-Vibration Turning Holder(8 Times Longer)

規格 Spec.	L	D	重量 (KGS) Weight
DPH80-BM50-1100L	1100	80	35.0
DPH100-BM50-1200L	1200	100	54.0

BM 模組化高硬度大柄徑減震車刀柄 (10 倍長) Anti-Vibration Turning Holder(10 Times Longer)

規格 Spec.	L	D	重量 (KGS) Weight
DPH80-BM50-1250L	1250	80	39.0
DPH100-BM50-1400L	1400	100	62.0
DPH120-BM50-1800L	1800	120	110.0
DPH150-BM50-2500L	2500	150	180.0
DPH180-BM50-2800L	2800	180	288.0
DPH200-BM50-3000L	3000	200	370.0

規格

Spec

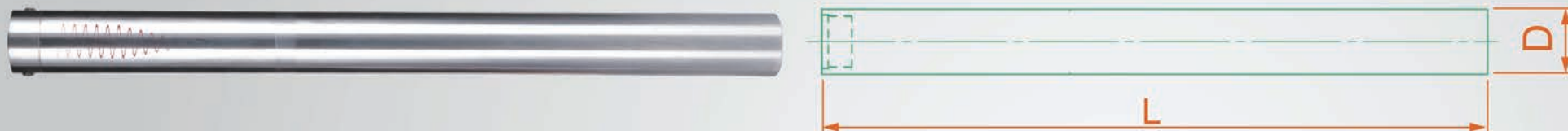


BM 模組化高硬度大柄徑減震車刀柄 (12 倍長)
Anti-Vibration Turning Holder(12 Times Longer)

規格 Spec.	L	D	重量 (KGS) Weight
DPH80-BM50-1450L	1450	80	43.0
DPH100-BM50-1600L	1600	100	69.0
DPH120-BM50-2000L	2000	120	125.0
DPH150-BM50-2800L	2800	150	200.0
DPH180-BM50-3200L	3200	180	320.0
DPH200-BM50-3500L	3500	200	420.0

規格

Spec



BM 模組化鎢鋼減震車刀柄 (10 倍長) Anti-Vibration Tungsten Carbide Turning Holder(10 Times Longer)

規格 Spec.	L	D	重量 (KGS) Weight
DPC16-BM16-210L	210	16	0.50
DPC20-BM20-255L	255	20	1.29
DPC25-BM25-300L	300	25	2.05

BM 模組化鎢鋼減震車刀柄 (12 倍長) Anti-Vibration Tungsten Carbide Turning Holder(12 Times Longer)

規格 Spec.	L	D	重量 (KGS) Weight
DPC20-BM20-295L	295	20	1.49
DPC25-BM25-350L	350	25	2.38
DPC32-BM32-440L	440	32	4.04

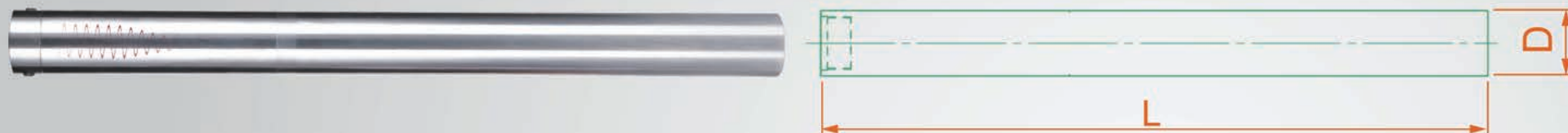
BM 模組化鎢鋼減震車刀柄 (13 倍長) Anti-Vibration Tungsten Carbide Turning Holder(13 Times Longer)

規格 Spec.	L	D	重量 (KGS) Weight
DPC16-BM16-260L	260	16	0.60
DPC40-BM40-600L	600	40	9.00



規格

Spec



BM 模組化鎢鋼減震車刀柄 (14 倍長) Anti-Vibration Tungsten Carbide Turning Holder(14 Times Longer)

規格 Spec.	L	D	重量 (KGS) Weight
DPC20-BM20-335L	335	20	1.69
DPC25-BM25-400L	400	25	2.71
DPC32-BM32-500L	500	32	4.64
DPC50-BM50-820L	820	50	15.40
DPC60-BM50-960L	960	60	31.50

BM 模組化鎢鋼減震車刀柄 (15 倍長) Anti-Vibration Tungsten Carbide Turning Holder(15 Times Longer)

規格 Spec.	L	D	重量 (KGS) Weight
DPC40-BM40-680L	680	40	9.60

BM 模組化高硬度減震車刀柄 (16 倍長) Anti-Vibration Tungsten Carbide Turning Holder(16 Times Longer)

規格 Spec.	L	D	重量 (KGS) Weight
DPC50-BM50-920L	920	50	17.40
DPC60-BM50-1080L	1080	60	35.01

規格

Spec



Fig.1

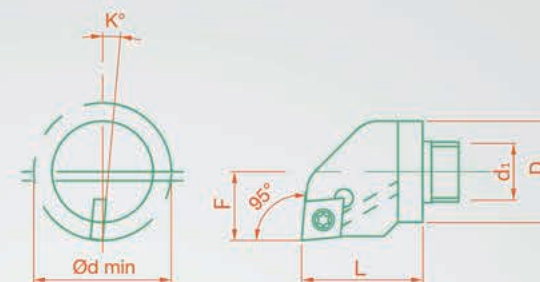
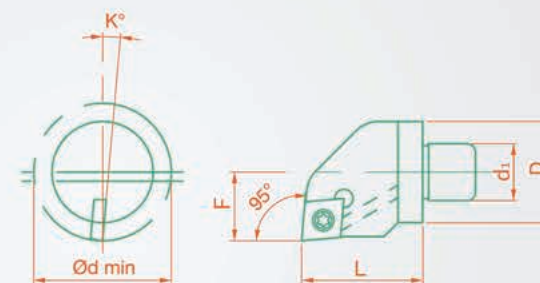


Fig.2



BM/SCLCR 模組化內徑車刀 Modular Boring Bars

規格 Spec.	L	D	d	d1	F	K°	刀片 Insert	Fig.	重量 (KGS) Weight
BM16-SCLCR-09	25	16	20	M13X0.5	10	7	CC..09T3	1	-
BM20-SCLCR-09	30	20	25	M16X0.75	13	7	CC..09T3	1	-
BM25-SCLCR-09	30	25	30	M20X0.75	15	5	CC..09T3	1	-
BM32-SCLCR-09	35	32	40	18	20	5	CC..09T3	2	-
BM40-SCLCR-09	40	40	52	22	26	3	CC..09T3	2	-
BM50-SCLCR-09	40	50	64	28	32	3	CC..09T3	2	-

配件表 Accessories

刀片 Insert	螺絲 Screw	扳手 Wrench	扭力值 Torque
CC..09T3	M4-8.0-5.7-60	T15	3.0 N.m



規格

Spec



Fig.1

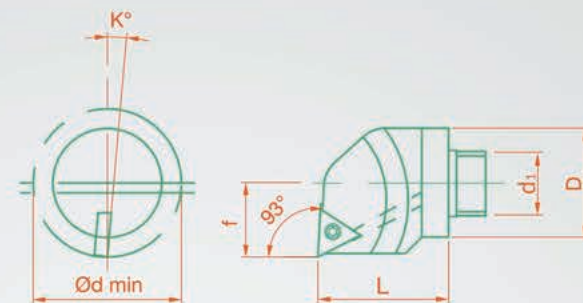
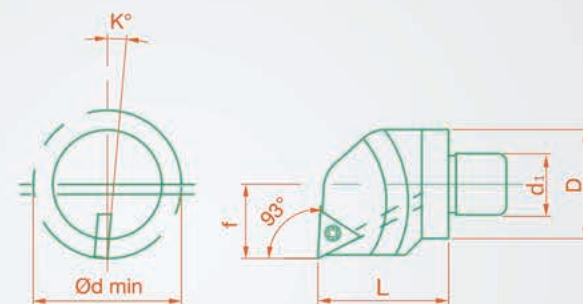


Fig.2



BM/STUCR 模組化內徑車刀 Modular Boring Bars

規格 Spec.	L	D	d	d1	F	K°	刀片 Insert	Fig.	重量 (KGS) Weight
BM16-STUCR-11	25	16	20	M13X0.5	10	8	TC..1102	1	-
BM20-STUCR-11	30	20	25	M16X0.75	13	6	TC..1102	1	-
BM25-STUCR-11	30	25	30	M20X0.75	15	4	TC..1102	1	-
BM32-STUCR-16	35	32	39	18	19.5	5	TC..16T3	2	-
BM40-STUCR-16	40	40	51	22	5.5	5	TC..16T3	2	-
BM50-STUCR-16	40	50	61	28	30.4	5	TC..16T3	2	-

配件表 Accessories

刀片 Insert	螺絲 Screw	扳手 Wrench	扭力值 Torque
TC..1102	M2.5-6.0-3.5-60	T8	1.2 N.m
TC..16T3	M4-8.0-5.7-60	T15	3.0 N.m

規格

Spec



Fig.1

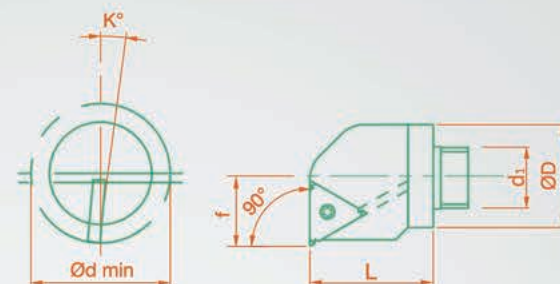
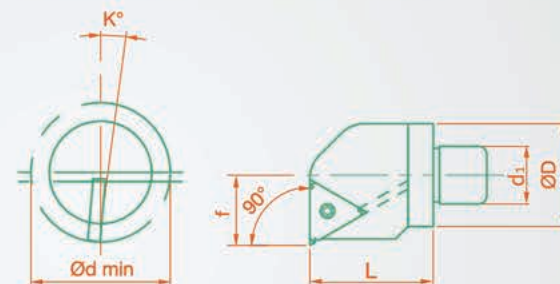


Fig.2



BM/SNR 模組化內徑牙刀 Modular Boring Bars

規格 Spec.	L	D	d	d1	F	K°	刀片 Insert	Fig.	重量 (KGS) Weight
BM16-SNR-16	25	16	20	M13X0.5	10	15	16IR	1	-
BM20-SNR-16	30	20	26	M16X0.75	13	15	16IR	1	-
BM25-SNR-16	30	25	32	M20X0.75	17	15	16IR	1	-
BM32-SNR-16	35	32	40	18	20	-	16IR	2	-
BM40-SNR-16	40	40	52	22	26	-	16IR	2	-
BM50-SNR-16	40	50	64	28	23	-	16IR	2	-

配件表 Accessories

刀片 Insert	螺絲 Screw	扳手 Wrench	扭力值 Torque
16IR	M3.5-11.7-5.3-60	T15	3.0 N.m



規格

Spec

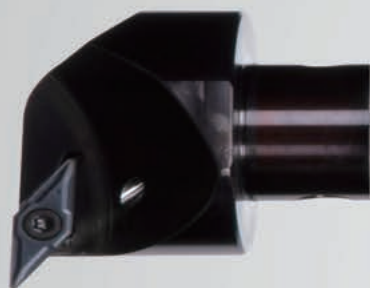


Fig.1

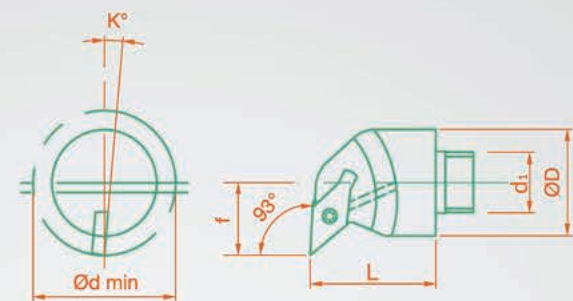
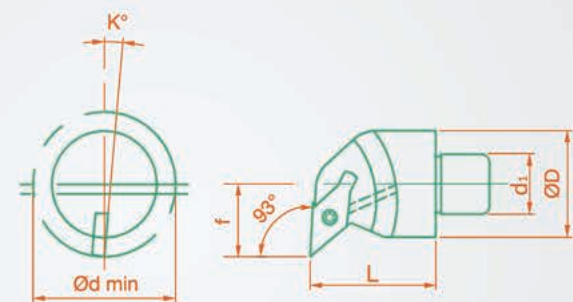


Fig.2



BM/SDUCR 模組化內徑車刀 Modular Boring Bars

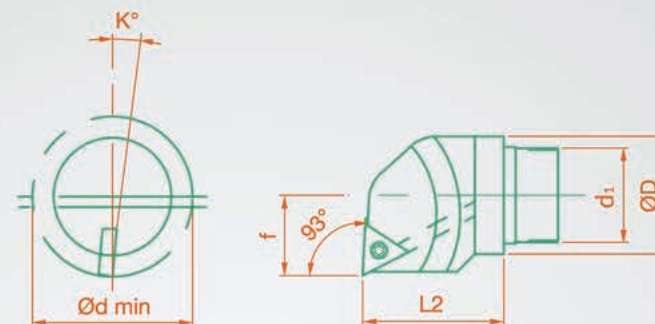
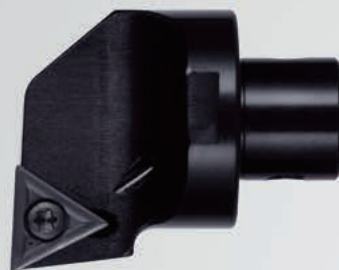
規格 Spec.	L	D	d	d1	F	K°	刀片 Insert	Fig.	重量 (KGS) Weight
BM16-SDUCR-11	25	16	20	M13X0.5	11	6	DC..11T3	1	-
BM20-SDUCR-11	30	20	26	M16X0.75	13	6	DC..11T3	1	-
BM25-SDUCR-11	30	25	32	M20X0.75	16	6	DC..11T3	1	-
BM32-SDUCR-11	35	32	40	18	20	6	DC..11T3	2	-
BM40-SDUCR-11	40	40	52	22	26	6	DC..11T3	2	-
BM50-SDUCR-11	40	50	64	28	32	6	DC..11T3	2	-

配件表 Accessories

刀片 Insert	螺絲 Screw	扳手 Wrench	扭力值 Torque
DC..11T3	M4-10-5.7-60	T15	3.0 N.m

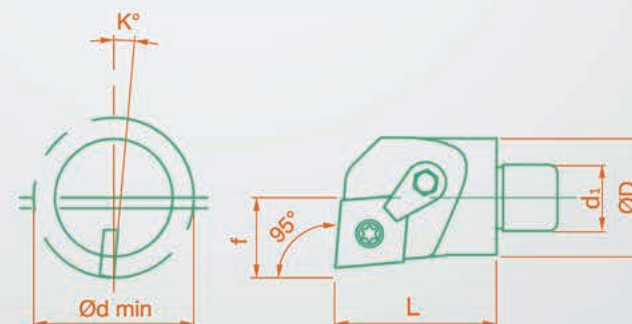
規格

Spec



BM/STUPR 模組化內徑車刀 Modular Boring Bars

規格 Spec.	L	D	d	d1	F	K°	刀片 Insert	螺絲 Screw	扳手 Wrench	扭力值 Torque	重量 (KGS) Weight
BM16-STUPR-11	25	16	20	M13X0.5	10	6	TP..1103	M3.5-11.7-5.3-60	T15	3.0 N.m	-
BM20-STUPR-11	30	20	25	M16X0.75	13	4	TP..1103	M3.5-11.7-5.3-60	T15	3.0 N.m	-
BM25-STUPR-11	30	25	30	M20X0.75	15	2	TP..1103	M3.5-11.7-5.3-60	T15	3.0 N.m	-

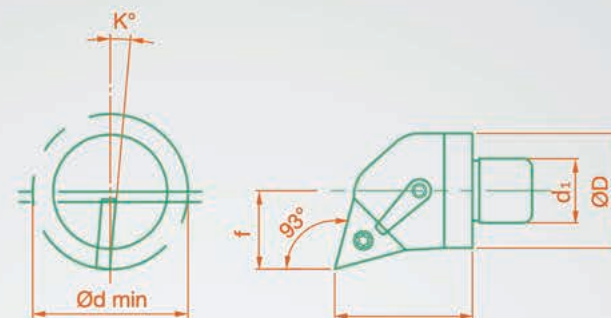


BM/MCLNR 模組化內徑車刀 Modular Boring Bars

規格 Spec.	L	D	d	d1	F	K°	刀片 Insert	墊片 Shim	墊片螺絲 Shim Screw	扳手 Wrench	壓板 Clamp	壓板螺絲 Clamp Screw	壓板扳手 Clamp Wrench	重量 (KGS) Weight
BM32-MCLNR-12	35	32	40	18	20	12	CN..1204	CMS432	MLP46	PL2.5	MC620	MS625	PL3	-
BM40-MCLNR-12	40	40	48	22	24	12	CN..1204	CMS432	MLP46	PL2.5	MC620	MS625	PL3	-
BM50-MCLNR-12	40	50	64	28	32	12	CN..1204	CMS432	MLP46	PL2.5	MC620	MS625	PL3	-

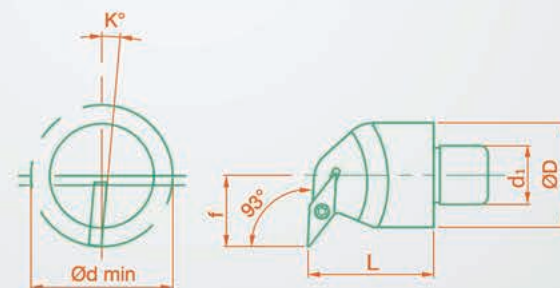
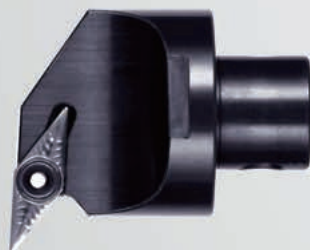
規格

Spec



BM/MTUNR 模組化內徑車刀
Modular Boring Bars

規格 Spec.	L	D	d	d1	F	K°	刀片 Insert	墊片 Shim	墊片螺絲 Shim Screw	扳手 Wrench	壓板 Clamp	壓板螺絲 Clamp Screw	壓板扳手 Clamp Wrench	重量 (KGS) Weight
BM32-MTUNR-16	35	32	40	18	19.5	13	TN..1604	TWS322	MLP34L	PL2	MC620	MS625	PL3	-
BM40-MTUNR-16	40	40	52	22	25.5	13	TN..1604	TWS322	MLP34L	PL2	MC620	MS625	PL3	-
BM50-MTUNR-16	40	50	64	28	30.4	13	TN..1604	TWS322	MLP34L	PL2	MC620	MS625	PL3	-



BM/SVUCR 模組化內徑車刀
Modular Boring Bars

規格 Spec.	L	D	d	d1	F	K°	刀片 Insert	重量 (KGS) Weight
BM32-SVUCR-16	35	32	40	18	20	5	VC..1604	-
BM40-SVUCR-16	40	40	52	22	26	5	VC..1604	-
BM50-SVUCR-16	40	50	64	28	32	5	VC..1604	-

配件表 Accessories

刀片 Insert	螺絲 Screw	扳手 Wrench	扭力值 Torque
VC..1604	M3.5-8.0-5.0-60	T15	3.0 N.m



正河源機械配件有限公司

CHAIN HEADWAY MACHINE TOOLS CO.,LTD

+886-4-26265252

+86-0512-57874601

+886-4-26267941

+86-0512-57874602

台灣台中市清水區五權路232號

中國江蘇省昆山陸豐東路模具城J區12號樓

www.chain-headway.com

youtube.com/chmt99

twitter.com/ChainHeadway

[facebook.com/ChainHeadway\(Taiwan/Myanmar/Philippines/India\)](https://facebook.com/ChainHeadway(Taiwan/Myanmar/Philippines/India))



LINE



Whatsapp



Wechat

公司聯絡資訊請貼於此處
Company Information Please Paste here

其他服務據點訊息請透過官網查詢
Other Sales Region Please Review Our Website